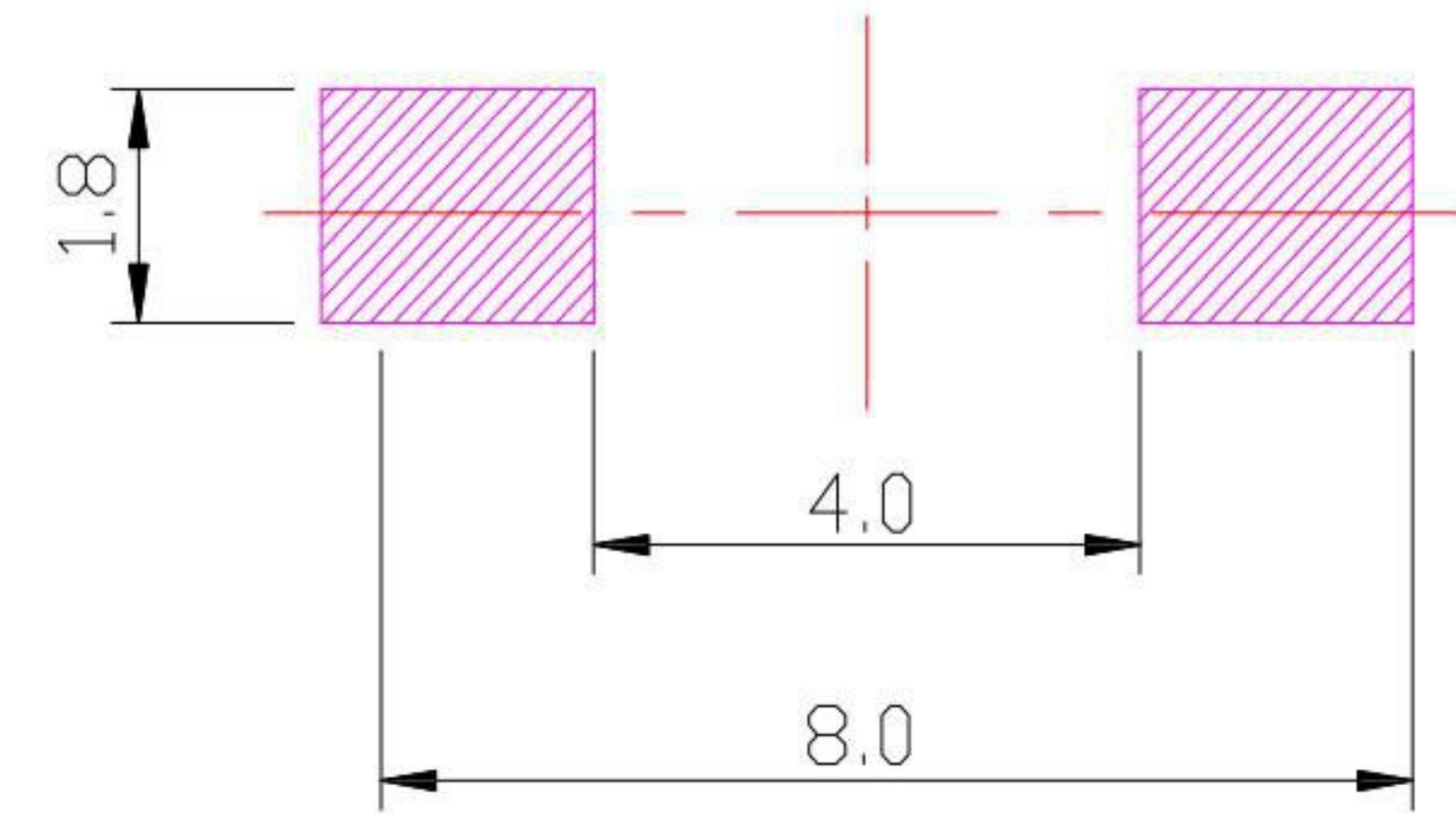
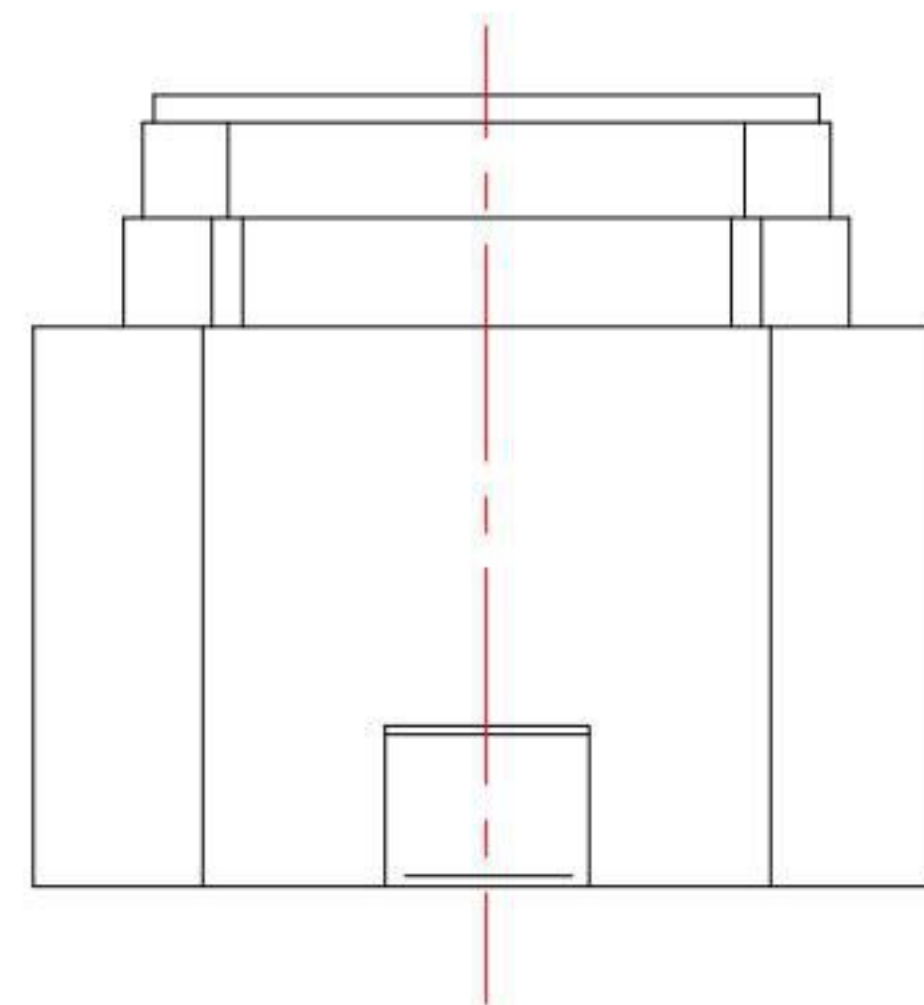
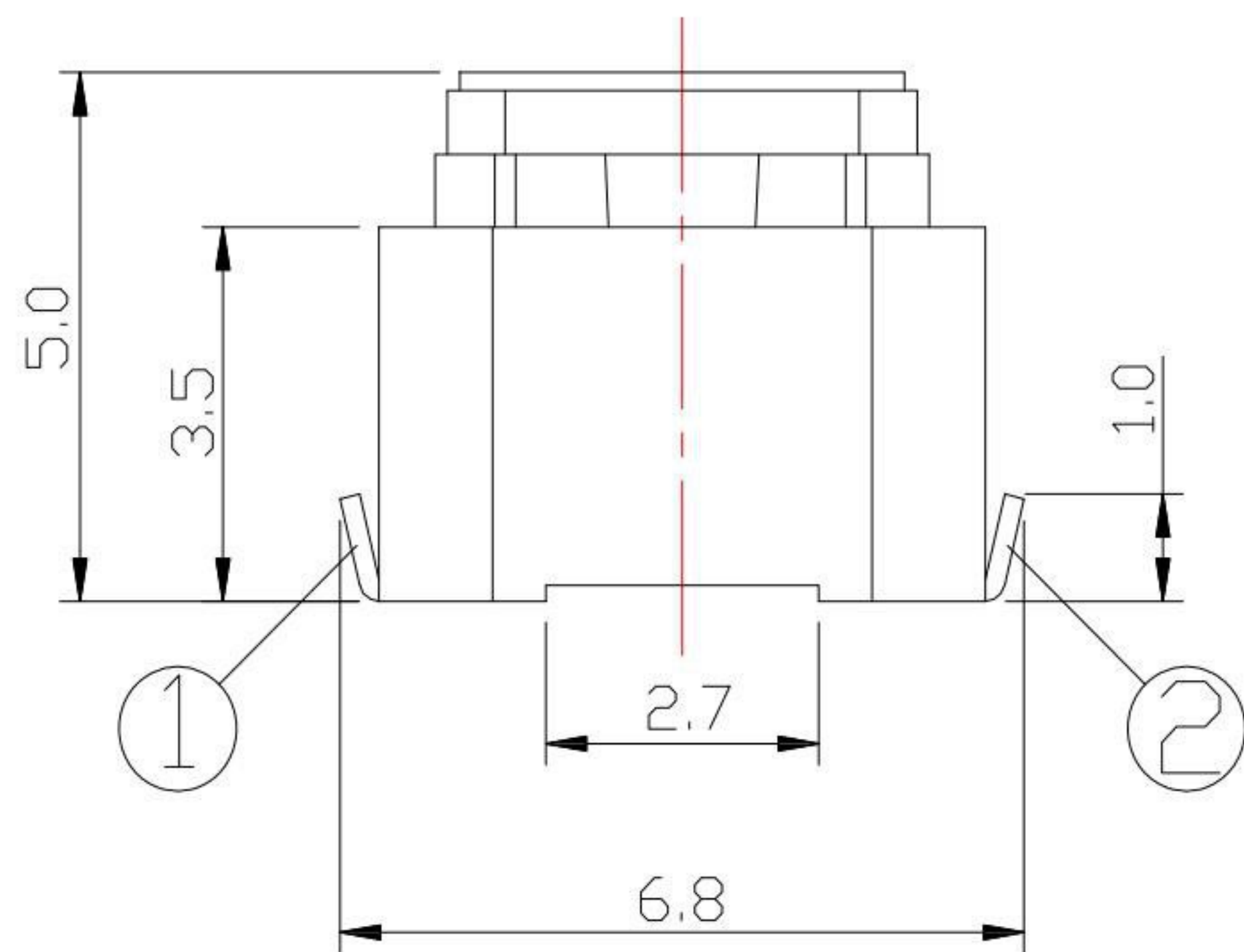


CIRCUIT DIAGRAM



P.C.B LAYOUT MOUNTING PATTERN



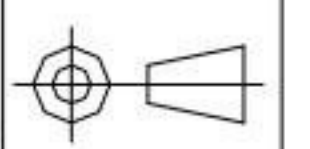
SPECIFICATIONS

Rating	DC 12V 50mA Max.			
Contact Resistance	100 mΩ Max.			
Travel	1.30± 0.1 mm			
Operating Force	1	2	3	4
	120 ± 30gf	180 ± 50gf	250 ± 50gf	320 ± 50gf
Operating Life (cycles)	100,000			80,000

KSD 科斯达电子科技有限公司
 SWITCH CONNECTOR KSD ELECTRONIC TECHNOLOGY Co., LTD
 全球 互聯零組件製造企業

TOLERANCE UNLESS OTHERWISE STATED:
 Up to 5 ±0.2
 Above 5 ~ 15 ±0.3
 Above 15 ~ 30 ±0.4
 Above 30 ~ 50 ±0.5
 Angle ±0.3°

3RD. ANGEL'S



UNITS MM

DRAWN BY: Jack Lu
 DATE: 09/26/18
 CHECKED BY: Jacky Chen
 DATE: 09/26/18
 APPROVED BY: Tony Kao
 DATE: 09/26/18

MAT'L		TITLE	SWITCH
FINISH		MODLE	TACT SWITCH
SCALE	1 : 1	DWG NO.	TS-A32USA-x-S138
SHEET NO.	1 of 1	PART NO.	TS-A32USA-x-S138

SIZE A4
 VER R1

1	新增 Operating Force: 320 ± 50gf	Jack	092618
ITEM NO.	DESCRIPTION	DRAWN	DATE