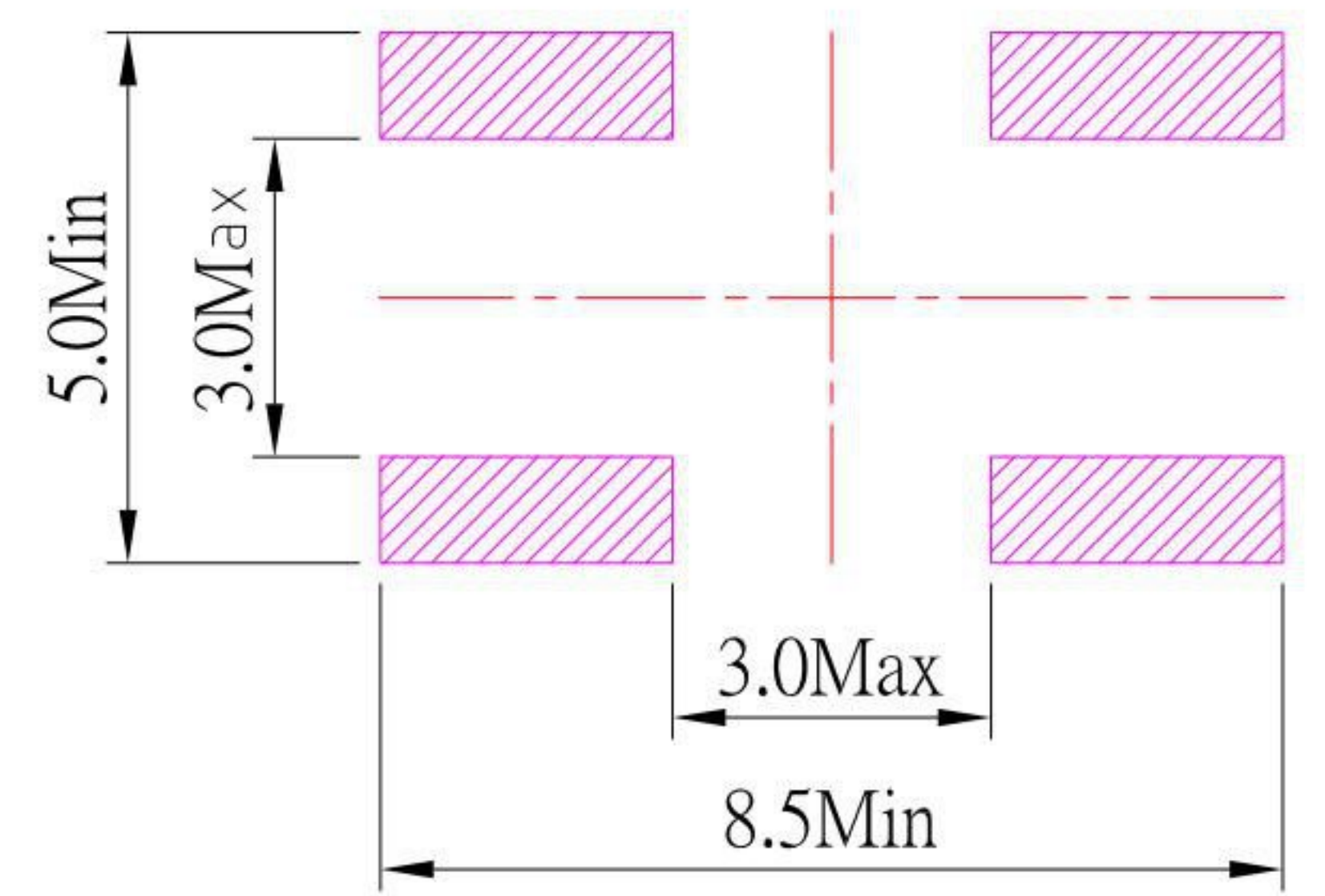
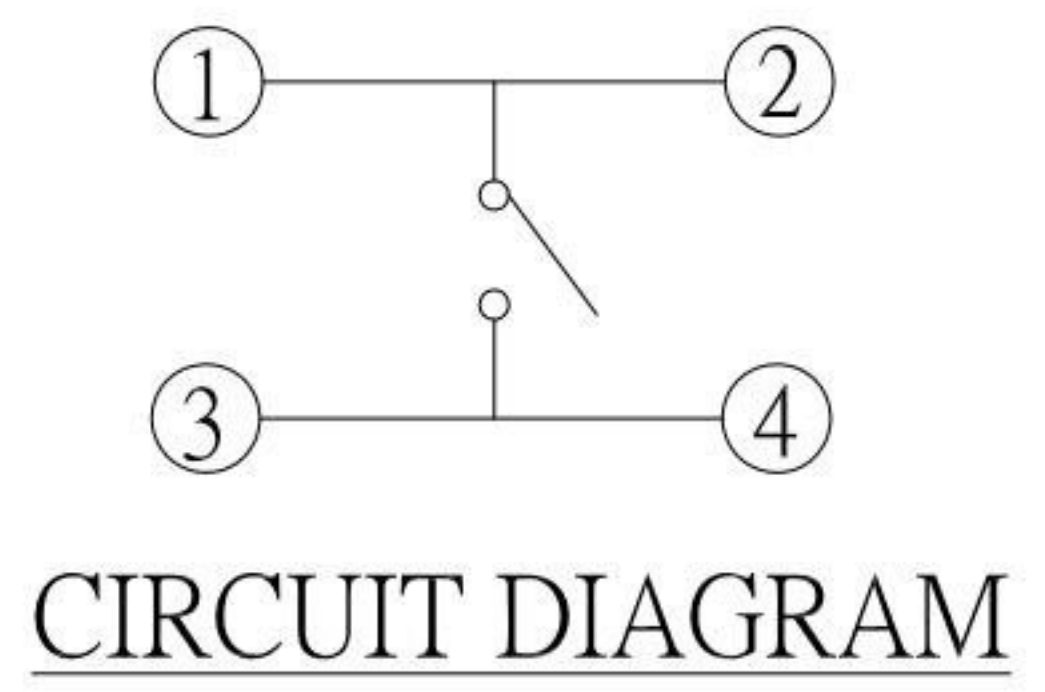
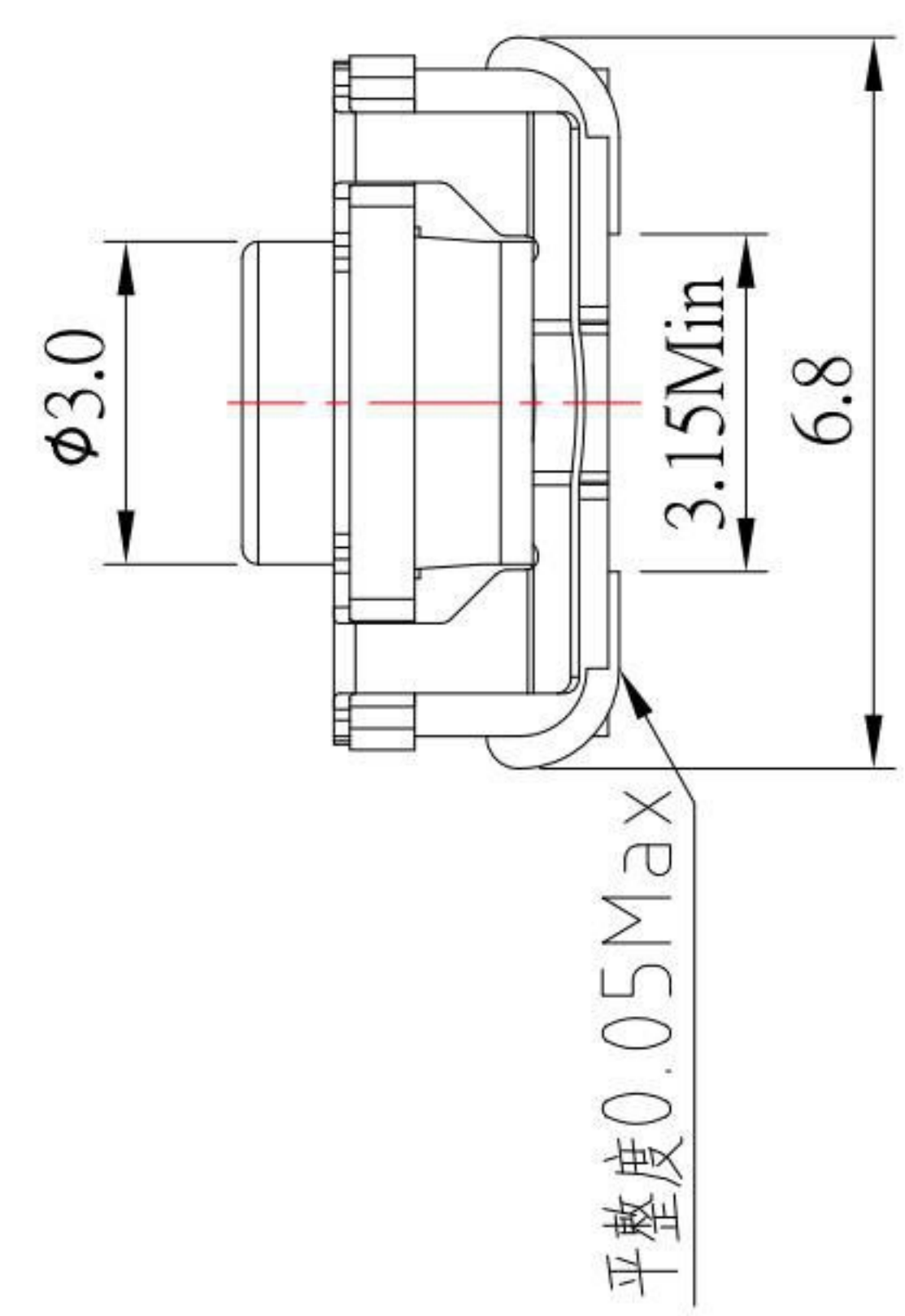
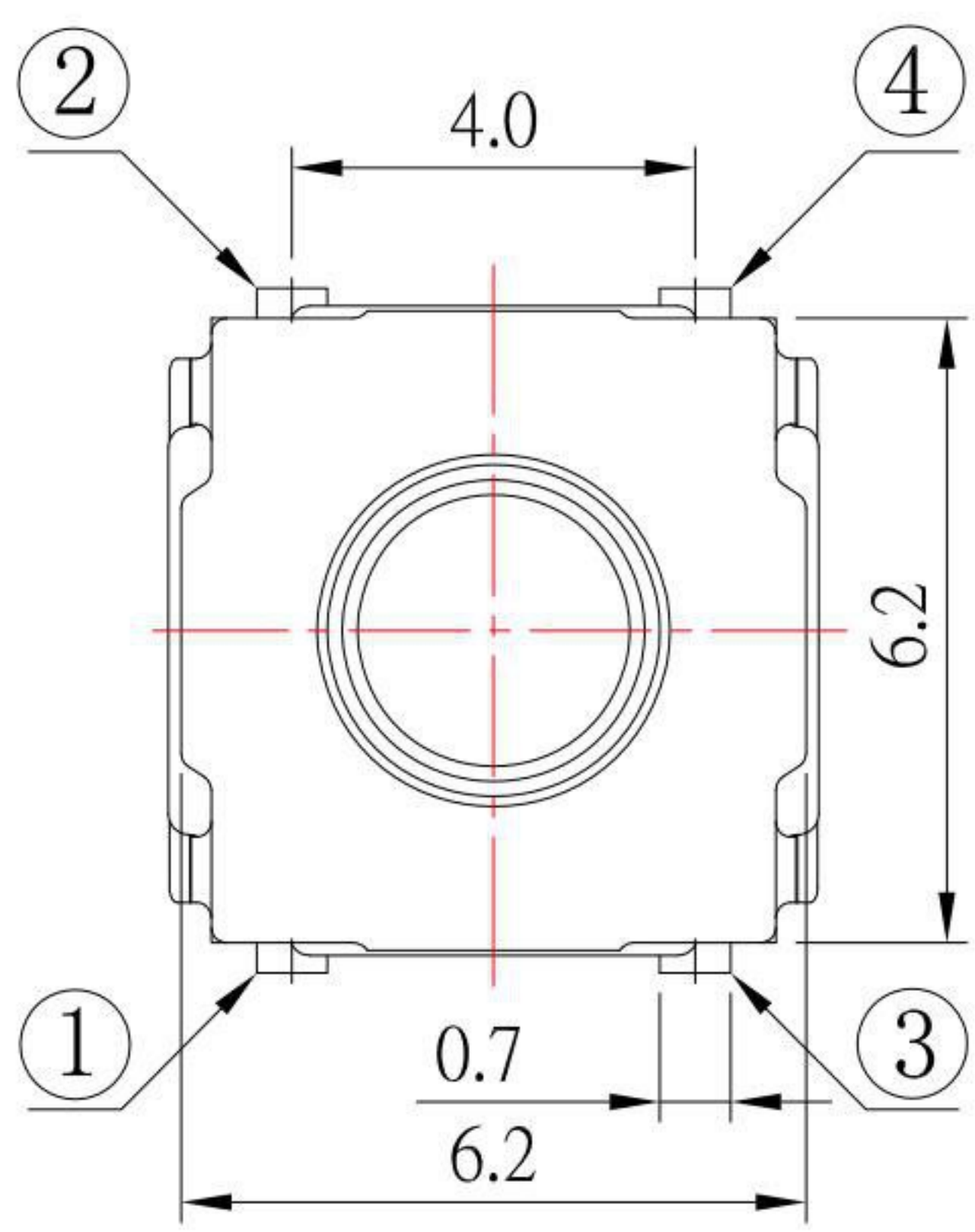


IP67



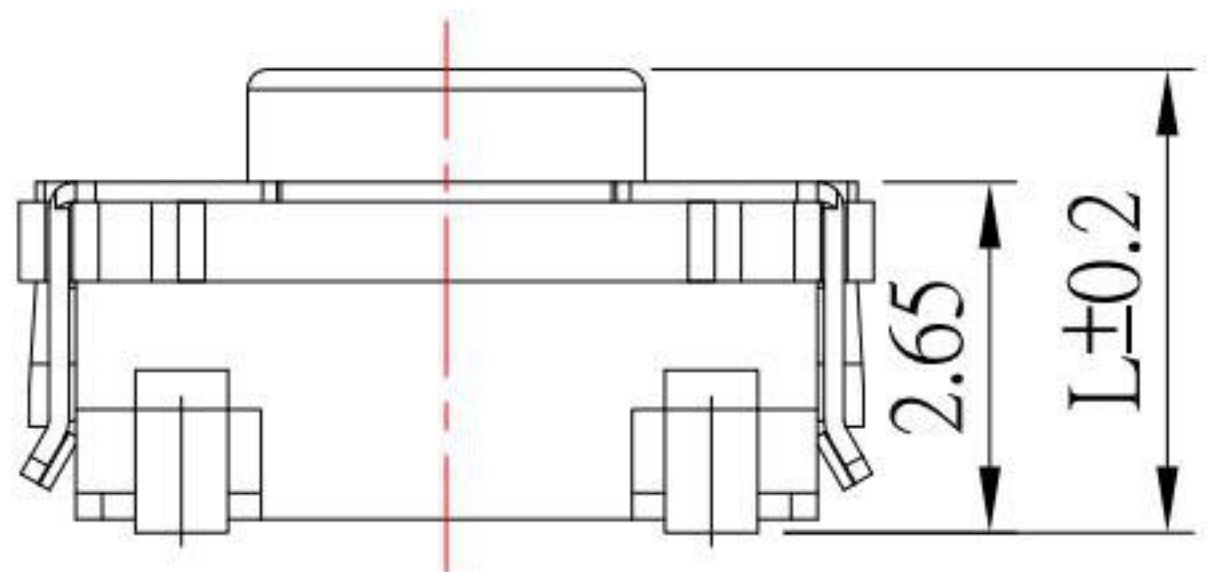
PCB LAYOUT

SPECIFICATIONS

Rating	DC 12V, 50mA.
Insulation Resistance	100 MΩ Min.
Contact Resistance	100 mΩ Max.
Travel	0.50 ± 0.30mm
Operating Force	2180 ± 50gf 7400 ± 100gf
Operating Life (cycles)	100,000

TS-A53WUx-xS-S138

X	L (mm)	Operating Force
Blank	3.5	
A	5.2	

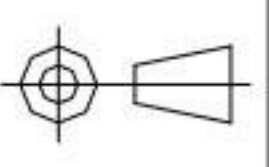


NO.	DESCRIPTION	QTY	MATERIAL	PLATING
E	TERMINAL	4	BRASS	Ag plated
D	CONTACT	1	SUS	Ag plated
C	COVER	1	SUS	
B	BASE	1	PA6T	
A	STEM	1	SILICONE(WHITE)	

KSD 科斯达电子科技有限公司
 SWITCH CONNECTOR KSD ELECTRONIC TECHNOLOGY Co., LTD
 全球 互聯零組件製造企業

TOLERANCE UNLESS OTHERWISE STATED:
 Up to 5 ±0.2
 Above 5 ~ 15 ±0.3
 Above 15 ~ 30 ±0.4
 Above 30 ~ 50 ±0.5
 Angle ±0.3°

3RD. ANGEL'S



UNITS MM

DRAWN BY:	DATE	MAT'L	TITLE	SWITCH
Jack Lu	06/23/21		MODLE	TACT SWITCH SMT 防水型 IP67
CHECKED BY:	DATE	FINISH	DWG NO.	TS-A53WUx-xS-S138
Jacky Chen	06/23/21		PART NO.	TS-A53WUx-xS-S138
APPROVED BY:	DATE	SCALE		
Tony Kao	06/23/21	1:1		
		SHEET NO.	1 of 1	

ITEM NO.	DESCRIPTION	DRAWN	DATE
2	新增按鍵高度選項	Jack	062321
1	新增Operating Force選項	Jack	100720