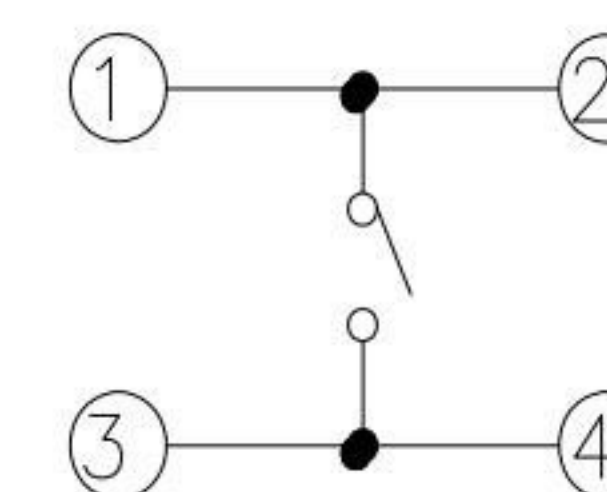




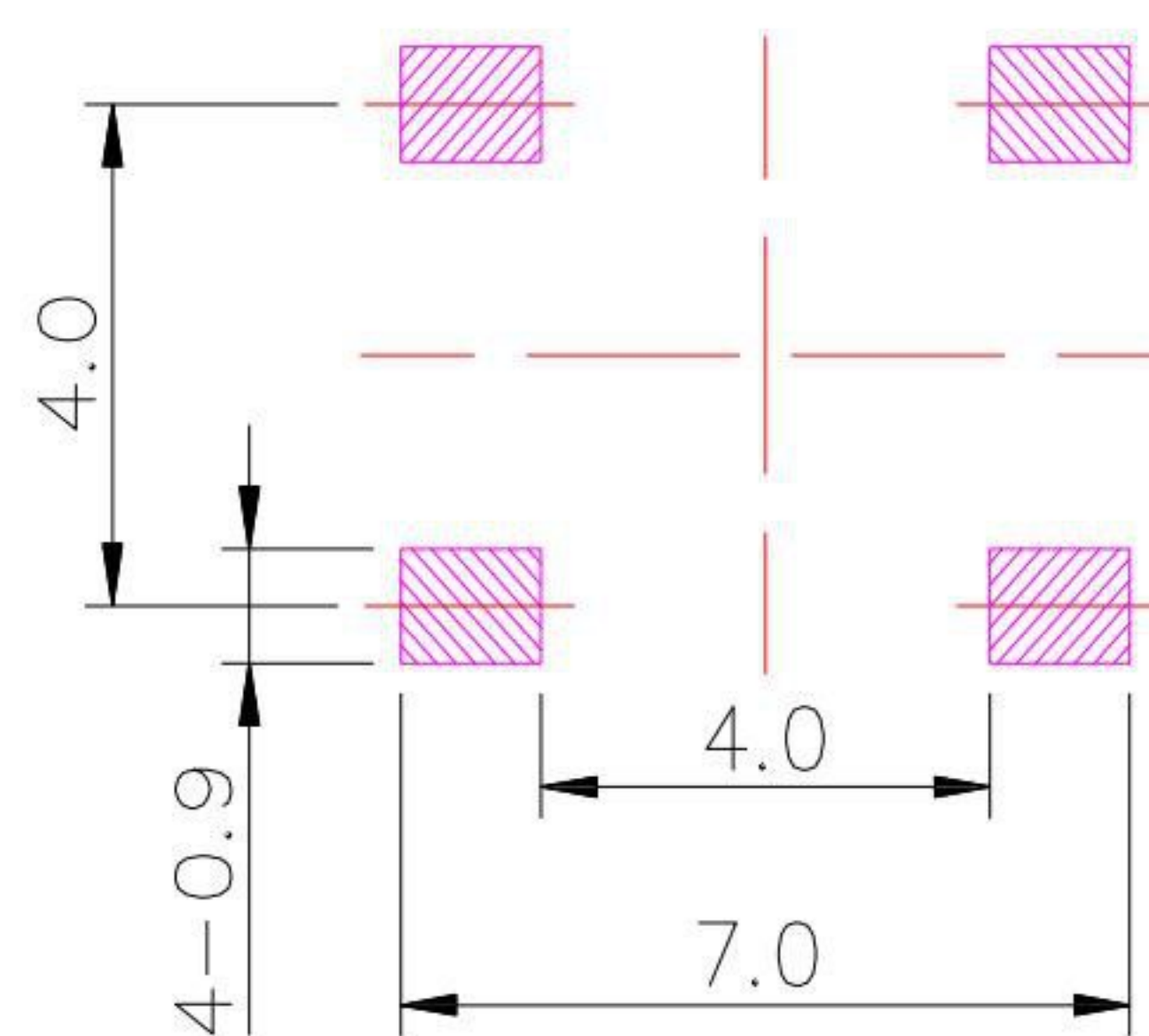
TS-A58x-x-S138

Operating Force

MODEL NO.	TS-A58	TS-A58A	TS-A58B	TS-A58D
L (mm)	3.5	5.2	4.3	4.9



CIRCUIT DIAGRAM

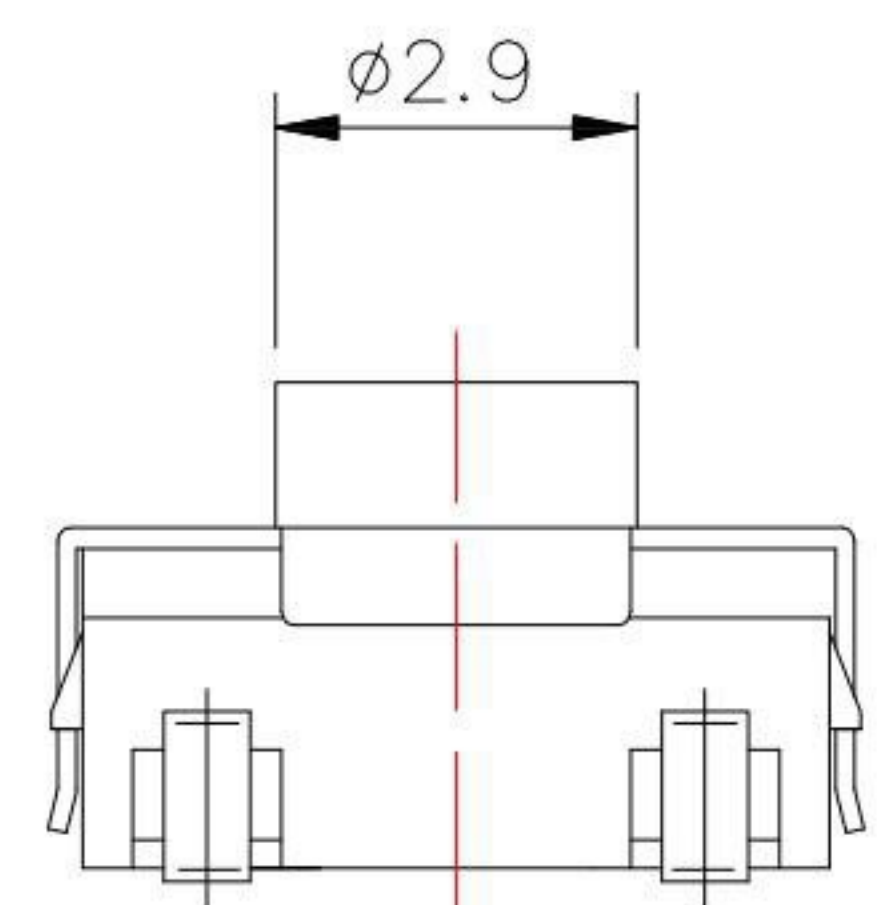
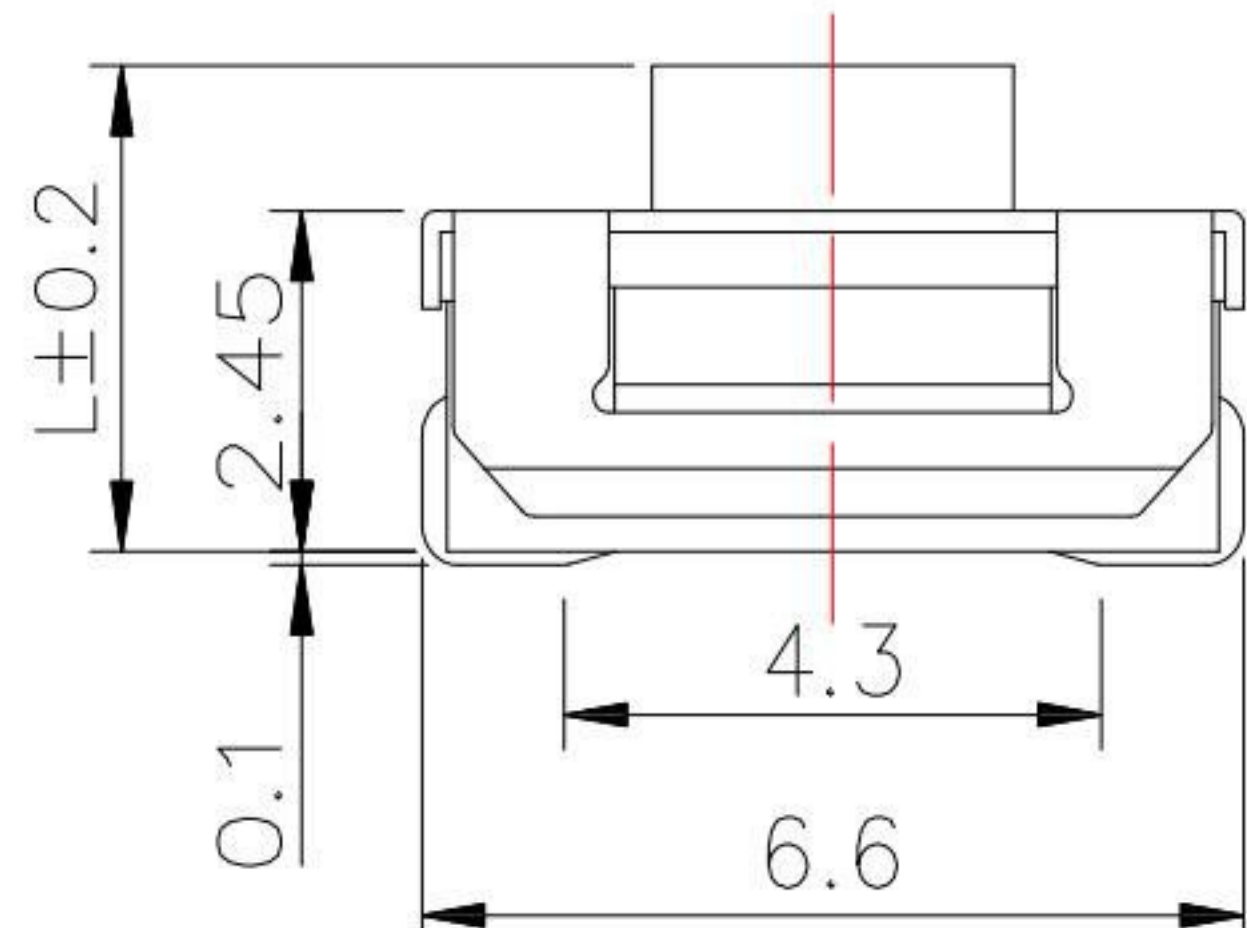
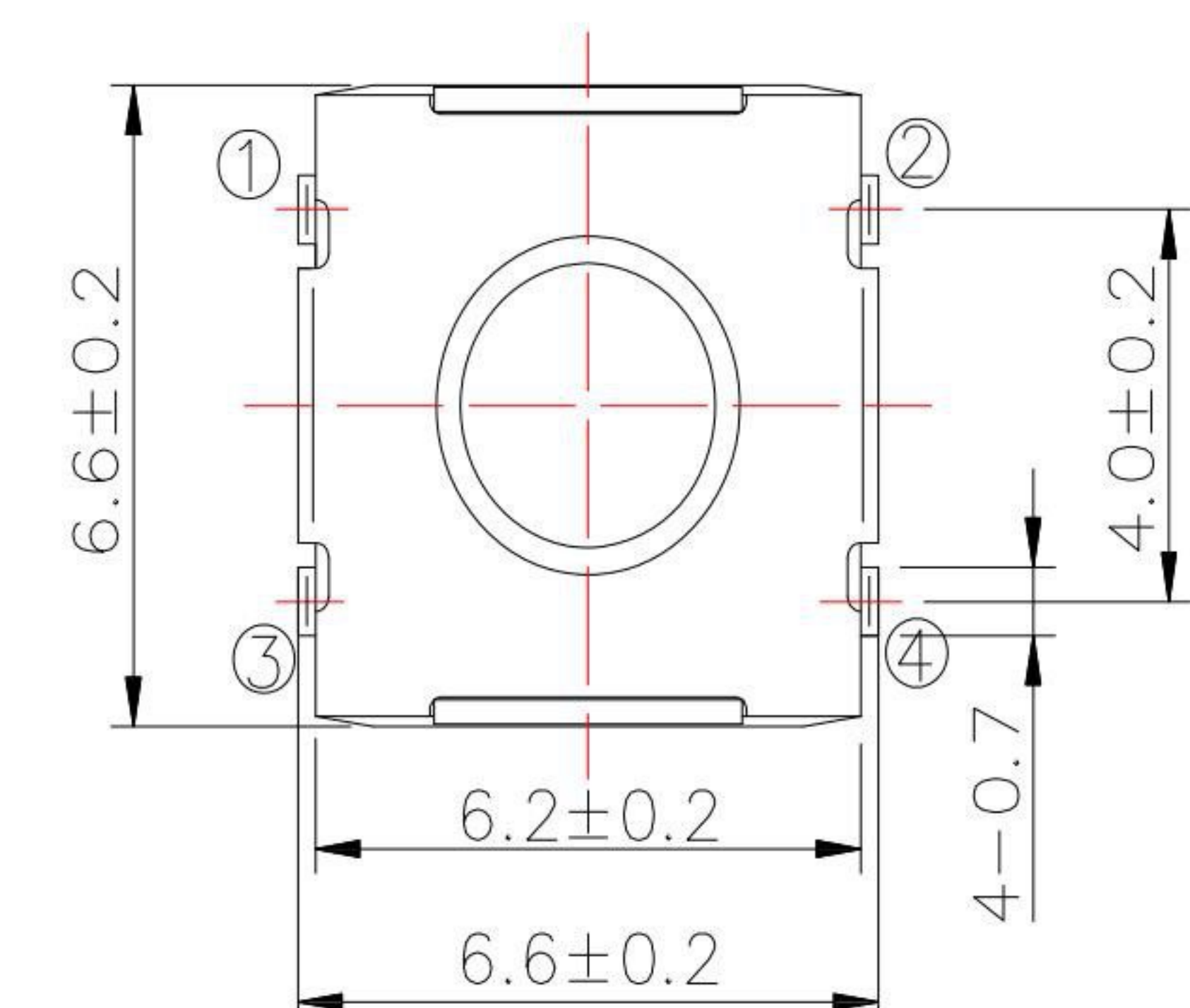


PCB LAYOUT

SPECIFICATIONS

Rating	DC 12V 50mA.					
Insulation Resistance	100 MΩ Min.					
Contact Resistance	100 mΩ Max.					
Dielectric Withstanding Voltage	AC 250V(50Hz) 1 min					
Operating Force	2	180 ± 50gf	3	250 ± 50gf	4	320 ± 50gf
Operating Life (cycles)	500,000		300,000		200,000	

NO.	DESCRIPTION	QTY	MATERIAL	PLATING
E	STEM	4	RUBBER	BLUE
D	COVER	1	SUS	
C	CONTACT	1	SUS	Ag plated
B	TERMINAL	1	BRASS	Ag plated
A	BASE	1	PA6T	



KSD 科斯达电子科技有限公司
 SWITCH CONNECTOR KSD ELECTRONIC TECHNOLOGY Co., LTD
 全球 互聯零組件 制造企业

TOLERANCE UNLESS OTHERWISE STATED:

Up to 5	±0.2
Above 5 ~ 15	±0.3
Above 15 ~ 30	±0.4
Above 30 ~ 50	±0.5
Angle	±0.3°

3RD. ANGEL'S UNITS MM

DRAWN BY:	DATE	MAT'L	TITLE	SWITCH
Jack Lu	05/22/19		MODLE	TACT SWITCH
CHECKED BY:	DATE	FINISH	DWG NO.	TS-A58x-x-S138
Jacky Chen	05/22/19		PART NO.	TS-A58x-x-S138
APPROVED BY:	DATE	SCALE		
Tony Kao	05/22/19	1:1		
		SHEET NO.		
		1 of 1		

ITEM NO.	DESCRIPTION	DRAWN	DATE