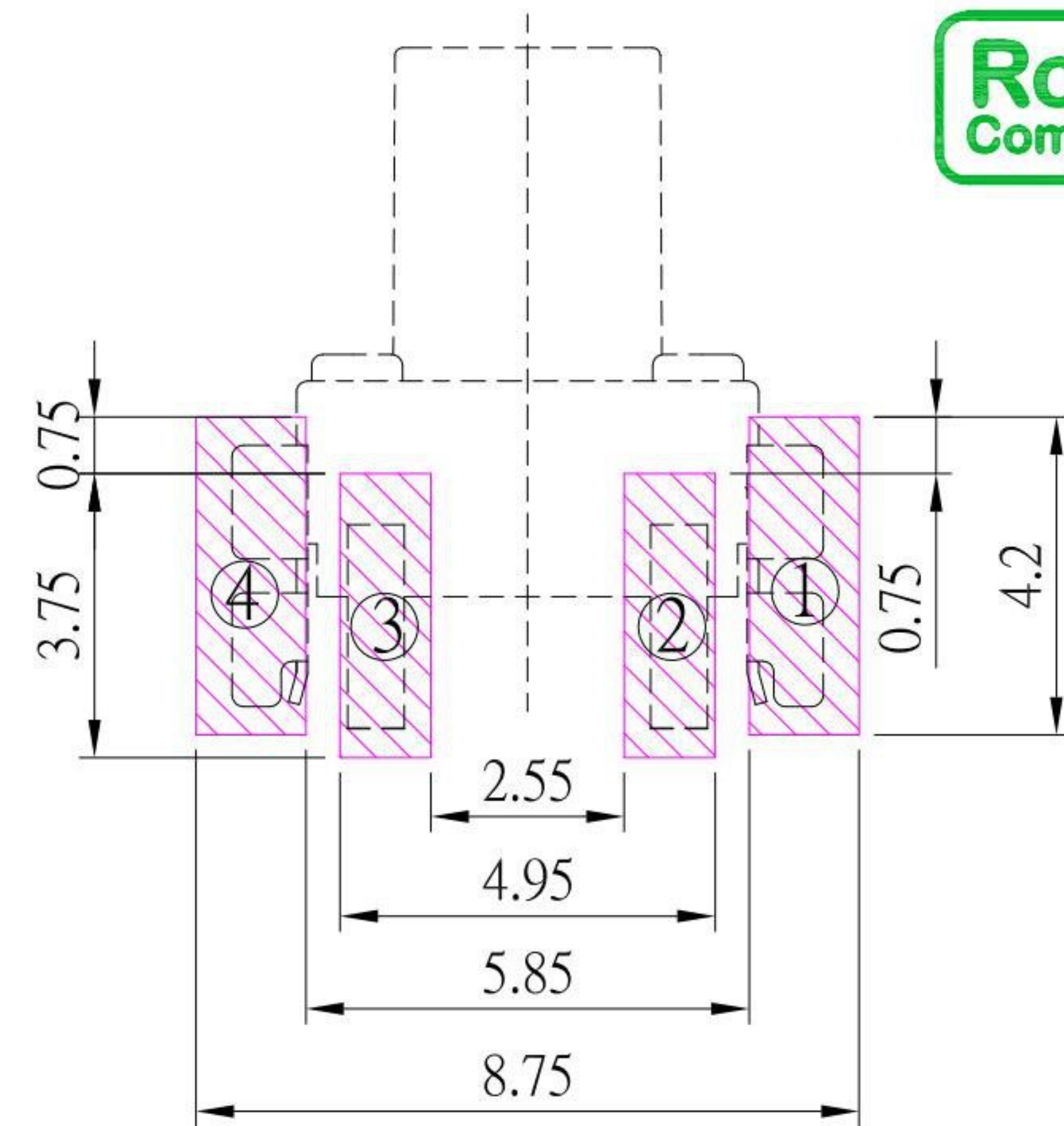
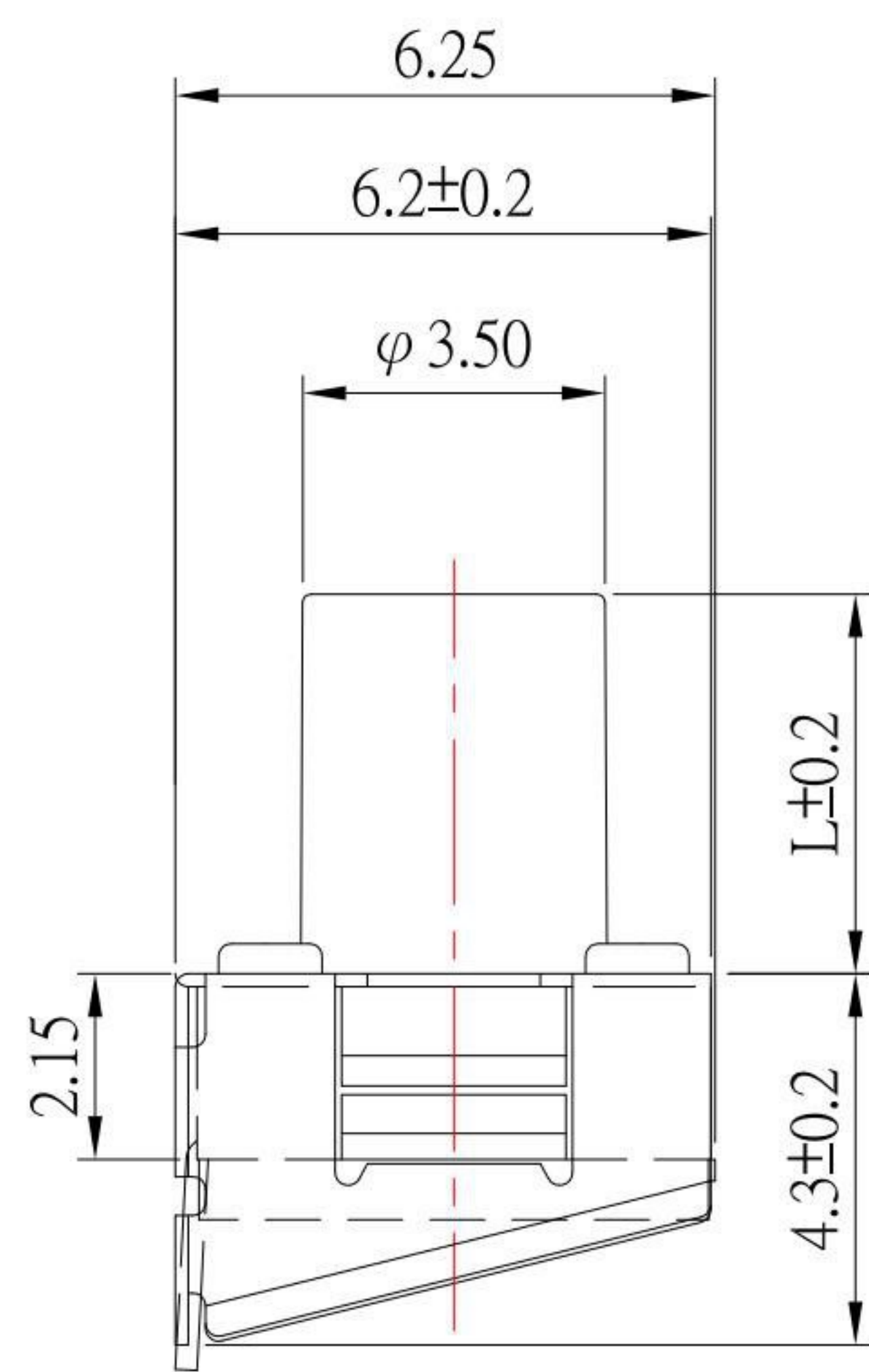
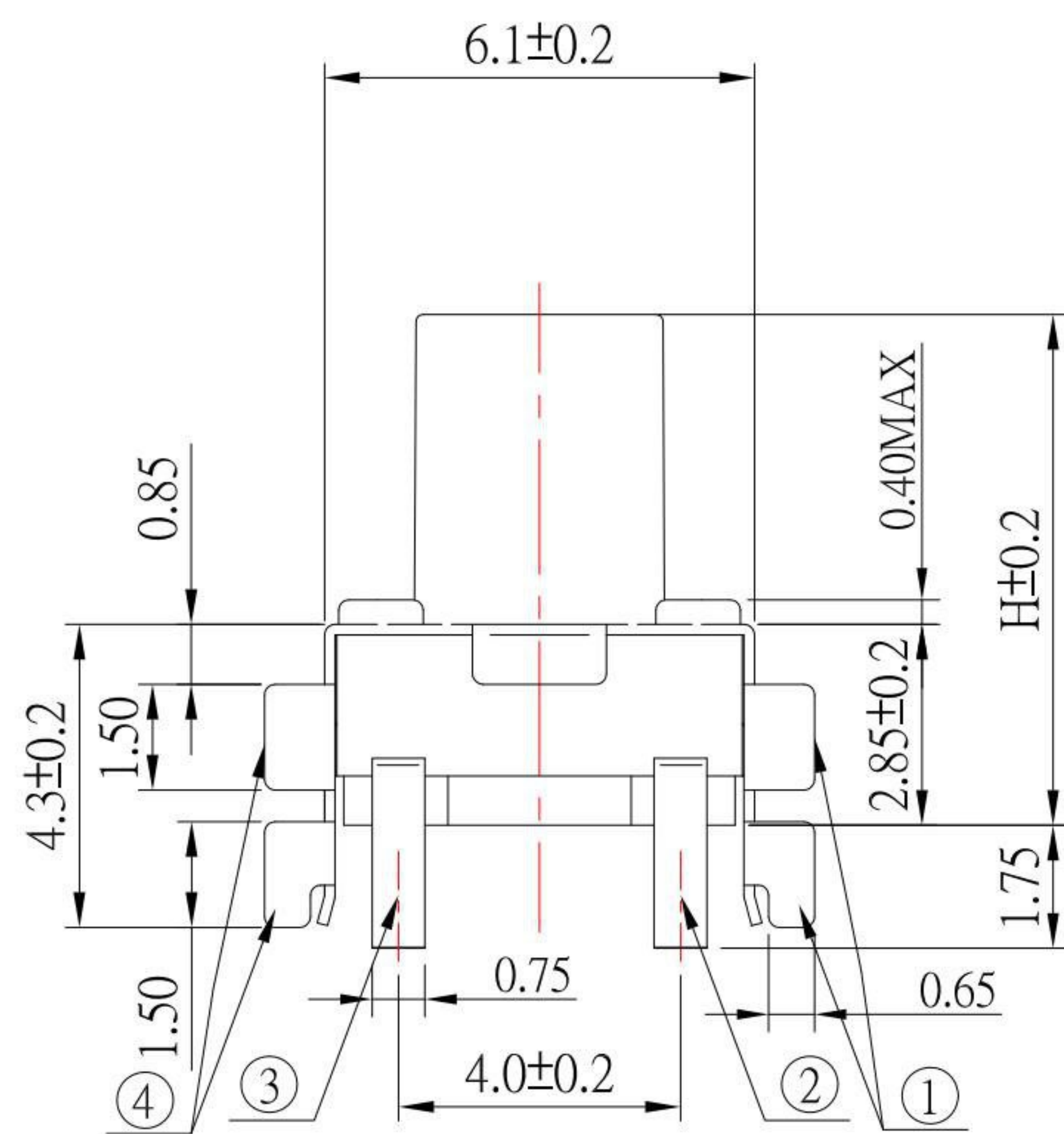


CIRCUIT DIAGRAM



P.C.B LAYOUT



MODEL NO.	TS-A58VS1	TS-A58VS1B
L (mm)	4.40	2.30
H (mm)	7.25	5.15

SPECIFICATIONS

Rating	DC 12V 50mA							
Contact Resistance	100mΩ Max.							
Travel	035±0.15mm							
Operating Force	2	160± 50gf	3	250± 50gf	4	320± 50gf	5	400± 50gf
Operating Life (cycles)	50,000				30,000			

**KSD** 科斯达电子科技有限公司  
 SWITCH CONNECTOR KSD ELECTRONIC TECHNOLOGY Co., LTD  
 全球 互聯零組件製造企業

TOLERANCE UNLESS OTHERWISE STATED:  
 Up to 5 ±0.2  
 Above 5 ~ 15 ±0.3  
 Above 15 ~ 30 ±0.4  
 Above 30 ~ 50 ±0.5  
 Angle ±0.3°

3RD. ANGEL'S

UNITS MM

DRAWN BY: Jack Lu DATE: 09/12/22  
 CHECKED BY: Jacky Chen DATE: 09/12/22  
 APPROVED BY: Tony Kao DATE: 09/12/22

MAT'L	TITLE	SWITCH
FINISH	MODLE	TACT SWITCH 無接地腳
SCALE 1:1	DWG NO.	TS-A58VS1x-x-S138
SHEET NO. 1 of 1	PART NO.	TS-A58VS1x-x-S138

ITEM NO.	DESCRIPTION	DRAWN	DATE
3	新增PCB LAYOUT中零件外型	Jack	091222
2	更新腳位編號	Jack	092220
1	更新尺寸選項	Jack	022720