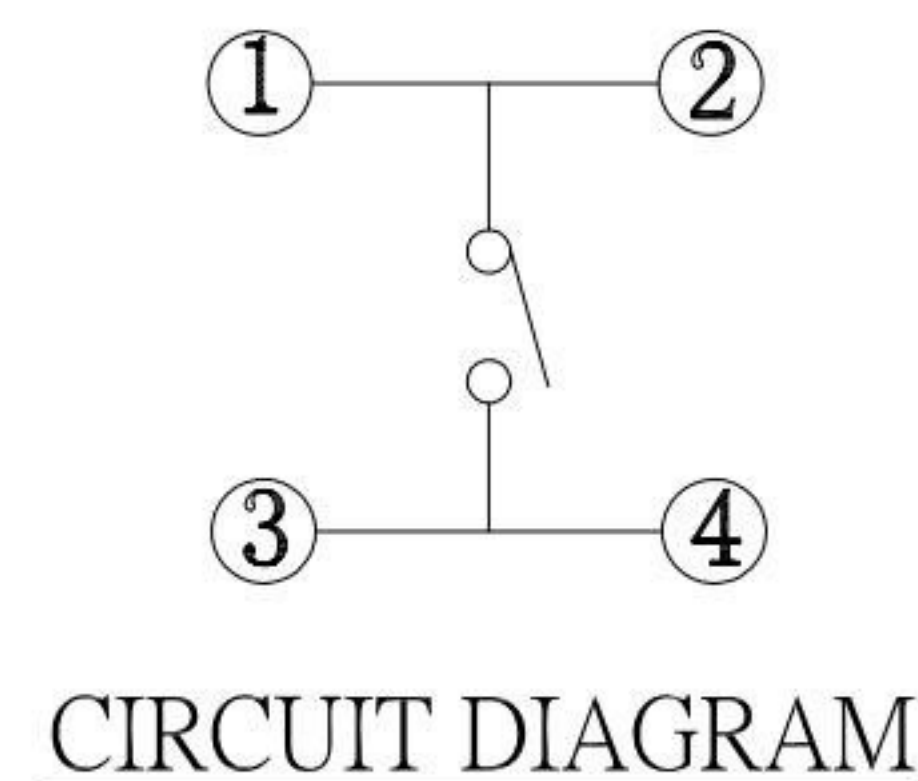
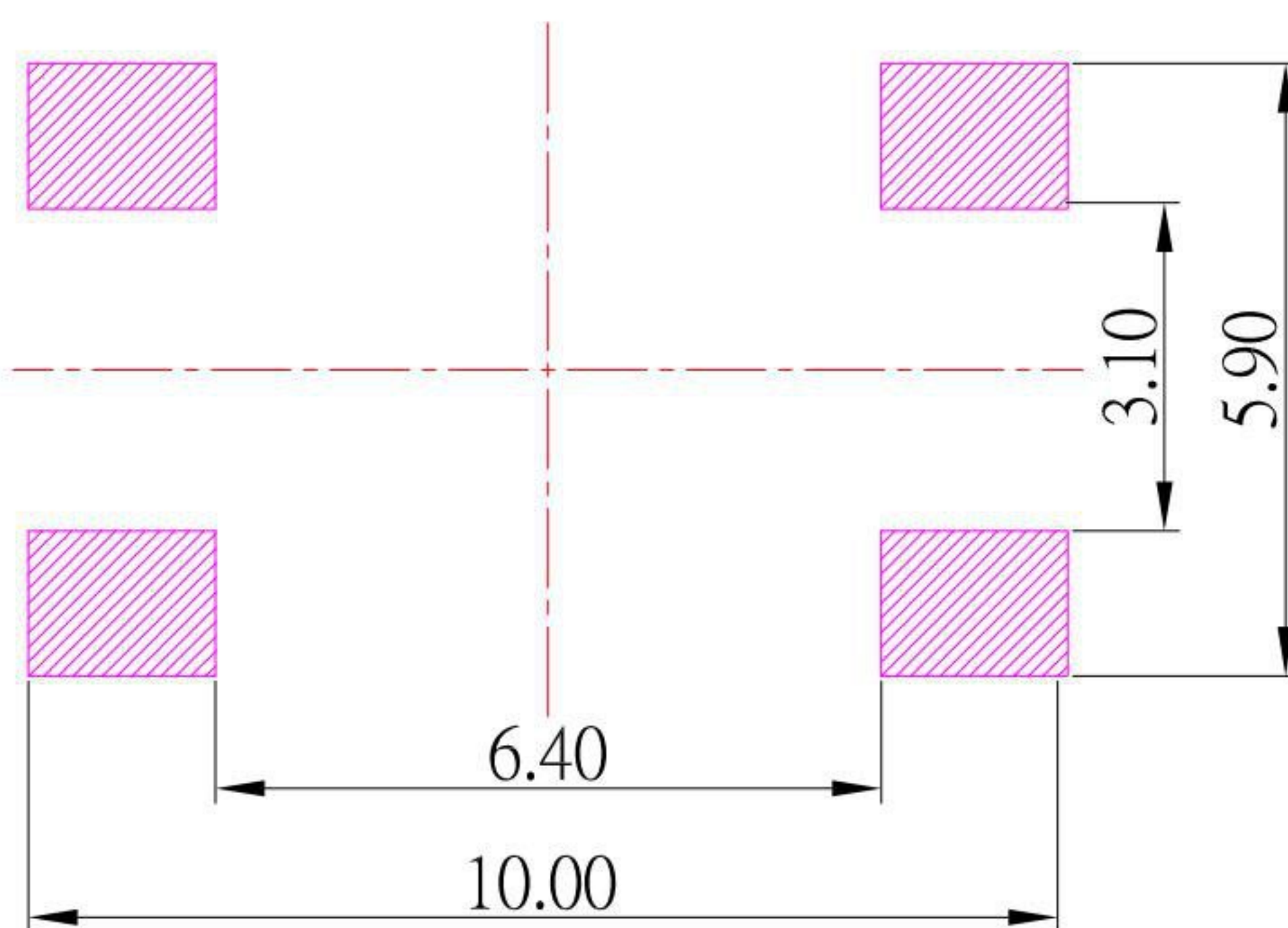
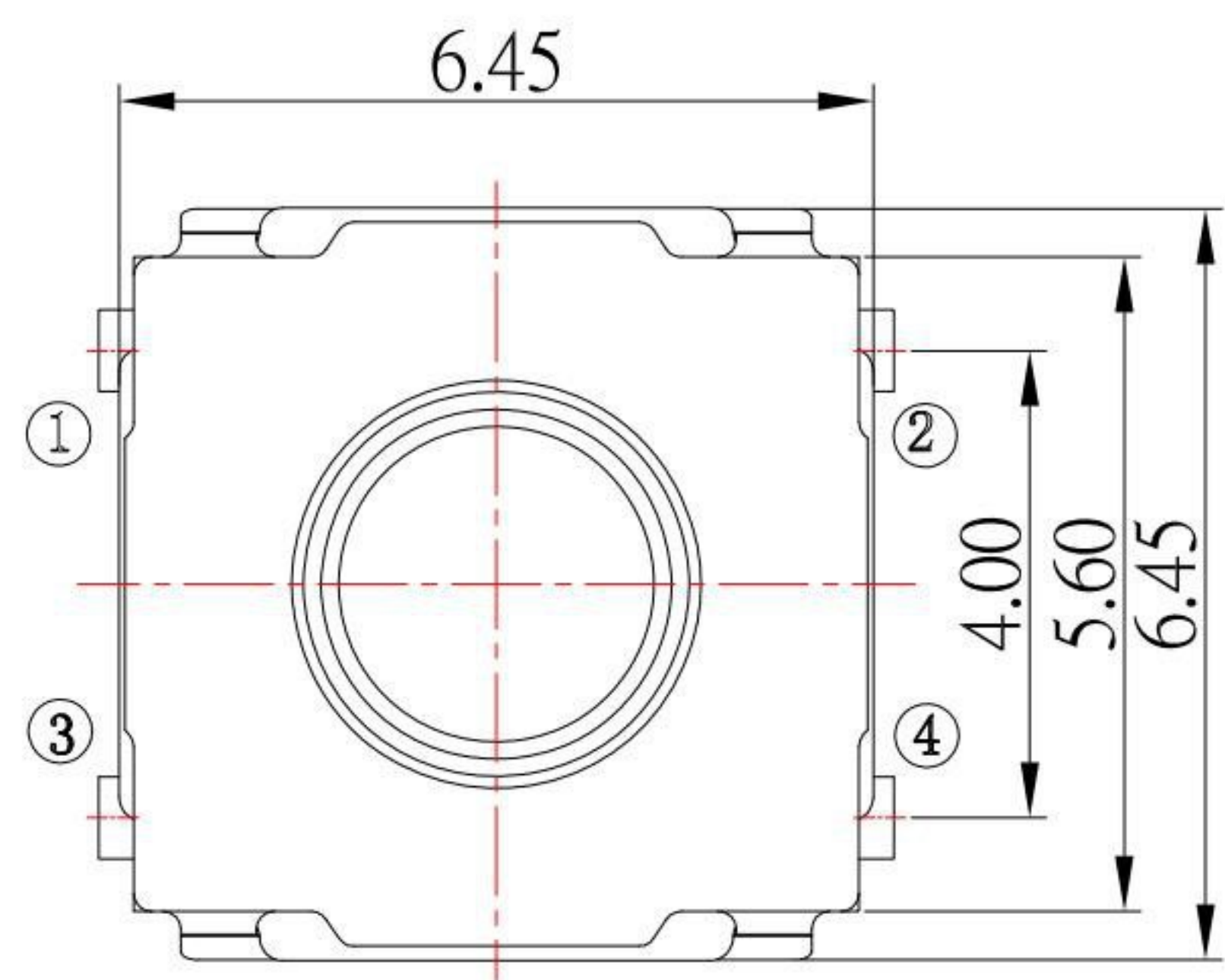




IP67

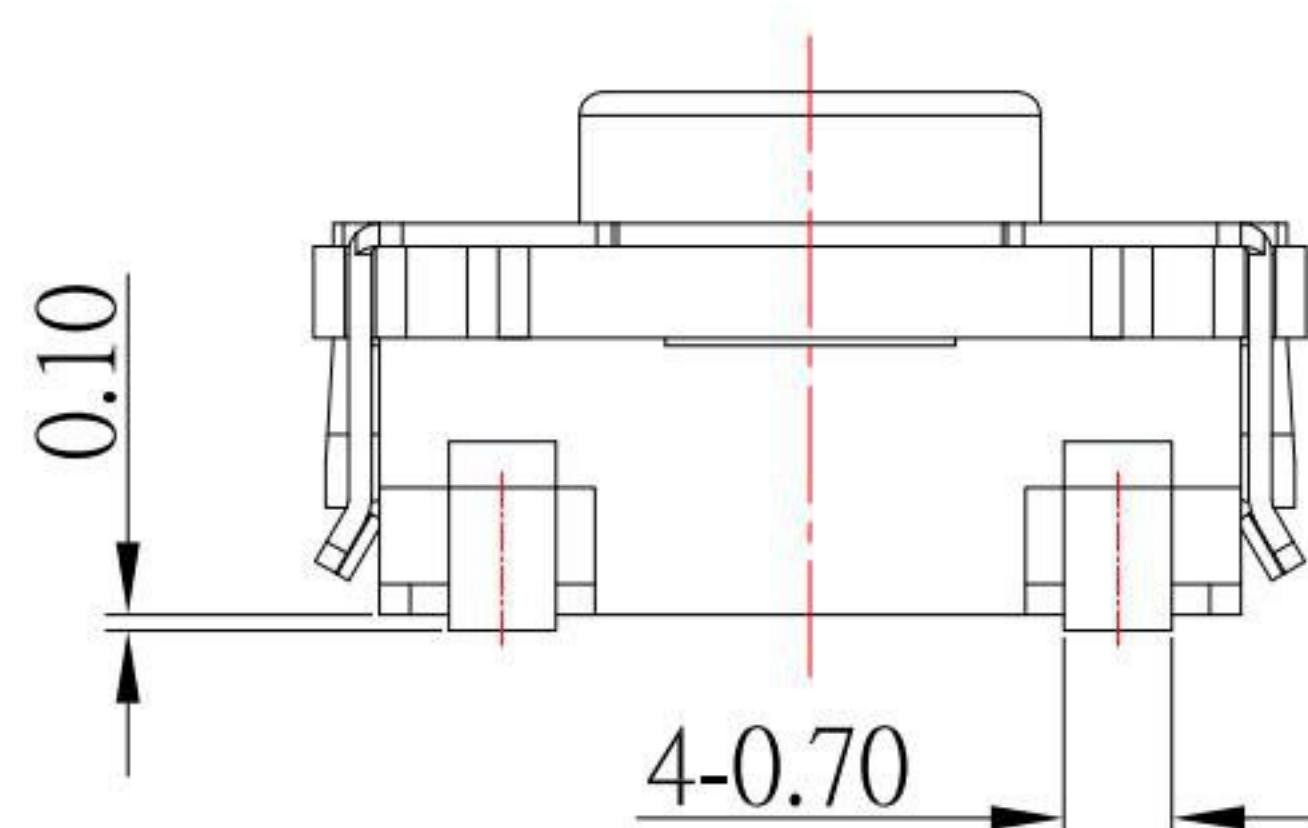
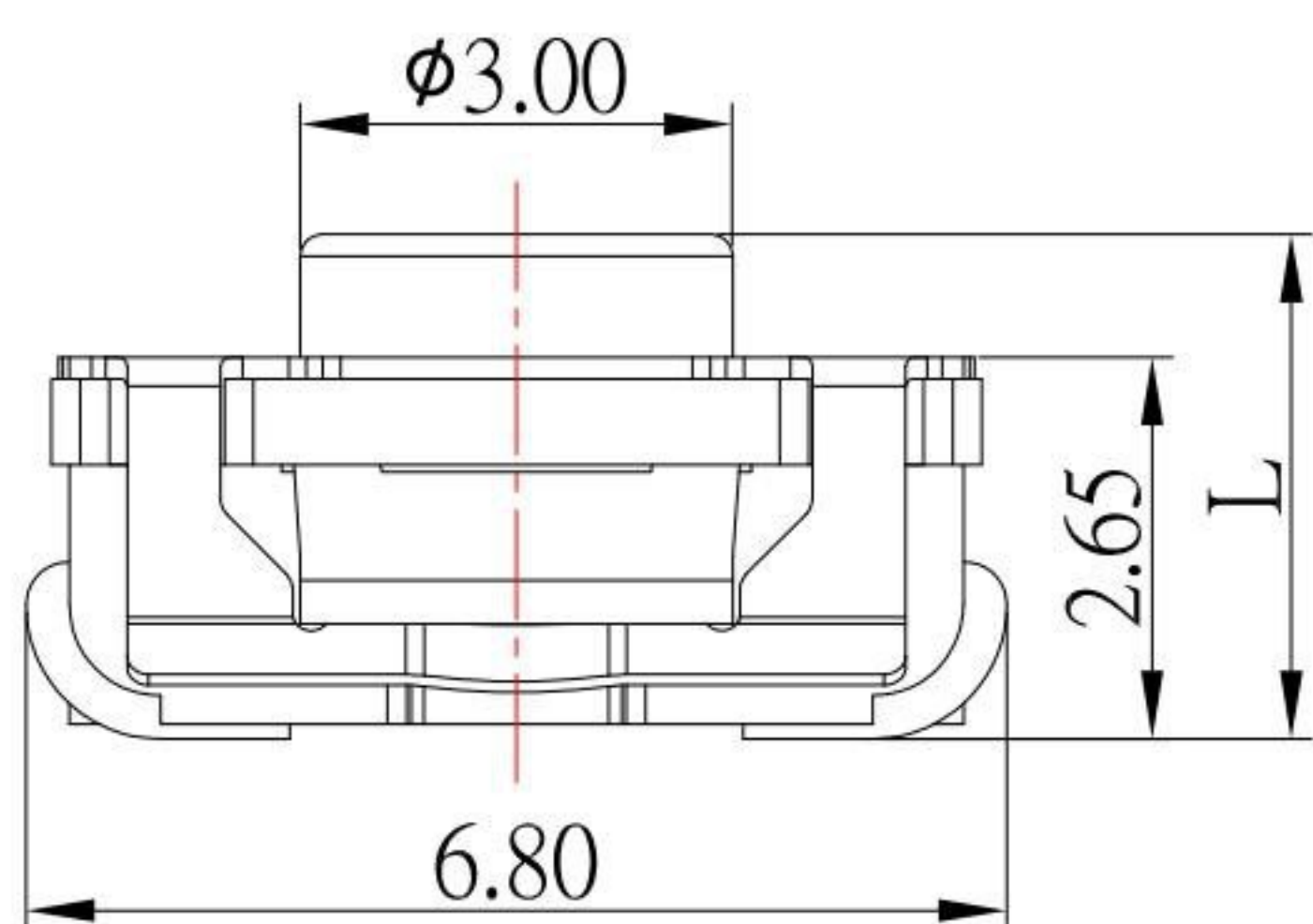


PCB LAYOUT

MODEL NO.	TS-A58W	TS-A58WA
L (mm)	3.50	5.20

SPECIFICATIONS

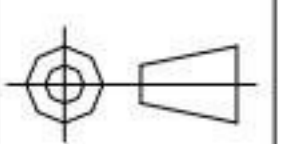
Rating	DC 12V 50mA.
Insulation Resistance	100 MΩ Min.
Contact Resistance	100 mΩ Max.
Dielectric Withstanding Voltage	AC 250V(50Hz) 1 min
Operating Force	180 ± 50gf
Operating Life (cycles)	1,000,000



KSD 科斯达电子科技有限公司
 SWITCH CONNECTOR KSD ELECTRONIC TECHNOLOGY Co., LTD
 全球 互聯零組件 制造企业

TOLERANCE UNLESS OTHERWISE STATED:
 Up to 5 ±0.2
 Above 5 ~ 15 ±0.3
 Above 15 ~ 30 ±0.4
 Above 30 ~ 50 ±0.5
 Angle ±0.3°

3RD. ANGEL'S



UNITS MM

DRAWN BY: Jack Lu DATE: 09/12/19
 CHECKED BY: Jacky Chen DATE: 09/12/19
 APPROVED BY: Tony Kao DATE: 09/12/19

MAT'L		TITLE	SWITCH
FINISH		MODLE	ACT SWITCH WATERPROOF IP67
SCALE	1 : 1	DWG NO.	TS-A58Wx-2S-S048
SHEET NO.	1 of 1	PART NO.	TS-A58Wx-2S-S048

SIZE A4
 VER R

ITEM NO.	DESCRIPTION	DRAWN	DATE