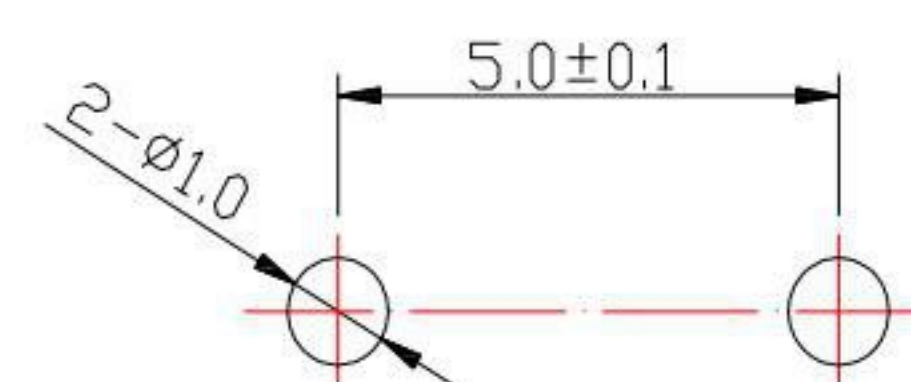


CIRCUIT DIAGRAM



PCB LAYOUT

SPECIFICATIONS

Rating	DC 12V 50mA.		
Contact Resistance	100 mΩ Max.		
Operating Force	2	180 ± 50gf	3 260 ± 50gf
Operating Life (cycles)	100,000		

NO.	DESCRIPTION	QTY	MATERIAL	PLATING
8	HOUSING	1	PA66	
7	TAPE	1	SILICON RUBBER	
6	FILM	1	GATHERS THE IMIDE	
5	PLUG	1	PA66	
4	CONTACT	1	SUS	Ag plated
3	FRAME	1	PPS	Ag plated
2	PLATE LAYER	1	CYANIDE	
1	TERMINAL	1	BRASS	Ag plated

KSD 科斯达电子科技有限公司
 SWITCH CONNECTOR KSD ELECTRONIC TECHNOLOGY Co., LTD
 全球 互联网 零组件 制造企业

TOLERANCE UNLESS OTHERWISE STATED:
 Up to 5 ±0.2
 Above 5 ~ 15 ±0.3
 Above 15 ~ 30 ±0.4
 Above 30 ~ 50 ±0.5
 Angle ±0.3°

3RD. ANGEL'S

UNITS MM

DRAWN BY:	DATE	MAT'L	TITLE	SWITCH
Jack Lu	08/28/18		MODLE	防水 TACT SWITCH
CHECKED BY:	DATE	FINISH	DWG NO.	TS-A62W-x-S138
Jacky Chen	08/28/18		PART NO.	TS-A62W-x-S138
APPROVED BY:	DATE	SCALE	SHEET NO.	1 of 1
Tony Kao	08/28/18	1:1		

ITEM NO.	DESCRIPTION	DRAWN	DATE