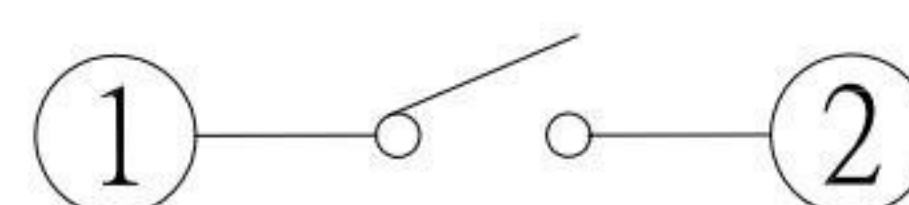
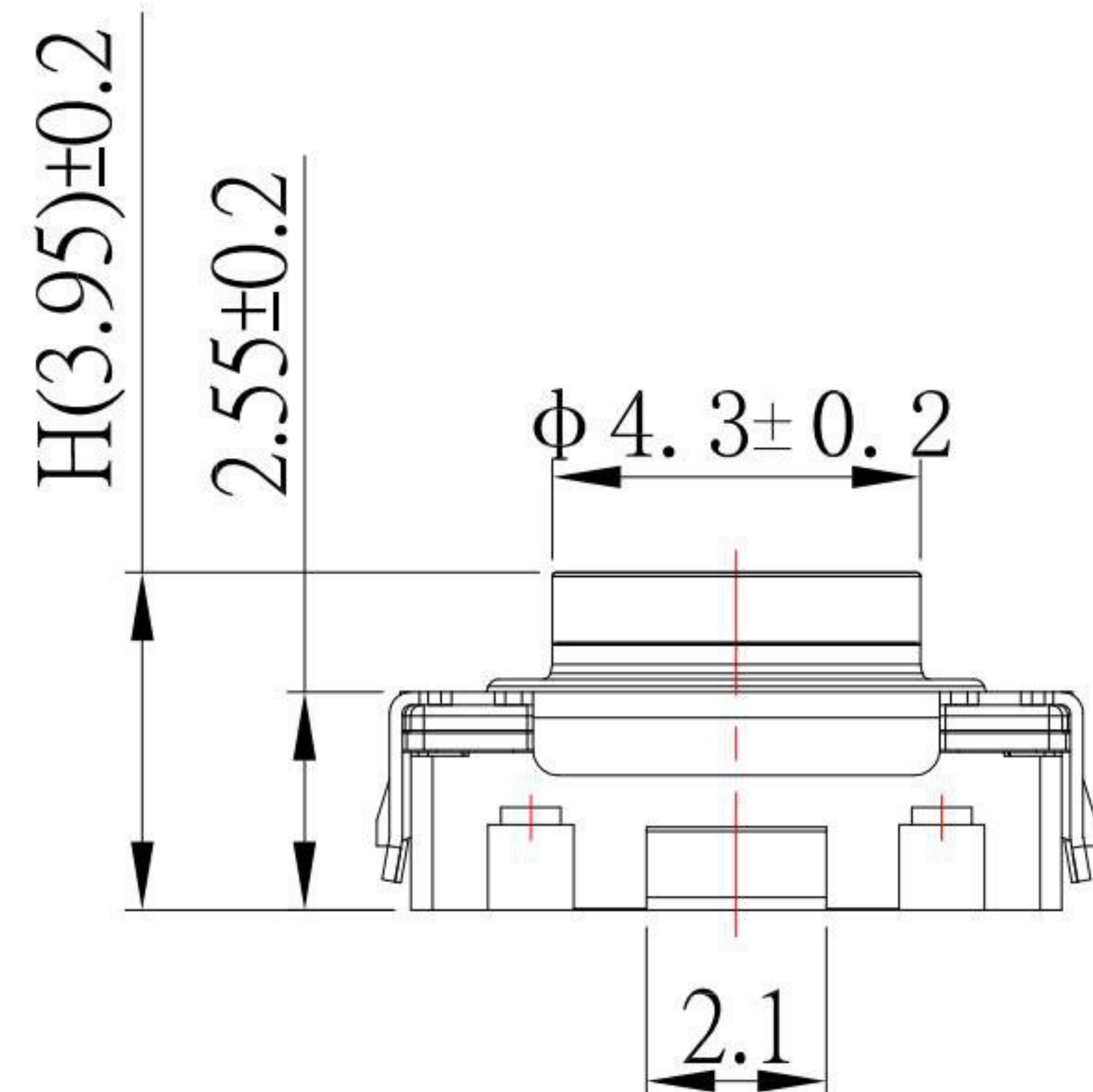


P.C.B MOUNTING PATTERN DIMENSION



CIRCUIT DIAGRAM

SPECIFICATIONS

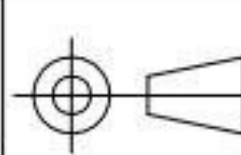
Rating	DC 12V 50mA Max.
Contact Resistance	100mΩ Max.
Travel	0.90 ± 0.2mm
Operating Force	400 ± 80gf
Operating Life (cycles)	500,000

5	TERMINAL(端子)	1	H65	Ag plating
4	HOUSING(基座)	1	LCP	—
3	CONTACT FORM(弹片)	1	SUS	Ag plating
2	COVER(盖板)	1	SUS	
1	STEM(按钮)	1	SILICONE	
NO	PART NAME	QTY	MATERIAL	REMARK

KSD 科斯达电子科技有限公司
 SWITCH CONNECTOR KSD ELECTRONIC TECHNOLOGY Co., LTD
 全球 互联零组件制造企业

TOLERANCE UNLESS OTHERWISE STATED:
 Up to 5 ±0.2
 Above 5 ~ 15 ±0.3
 Above 15 ~ 30 ±0.4
 Above 30 ~ 50 ±0.5
 Angle ±0.3

3RD. ANGEL'S



UNITS MM

DRAWN BY: Jack Lu DATE: 10/29/19
 CHECKED BY: Jacky Chen DATE: 10/29/19
 APPROVED BY: Tony Kao DATE: 10/29/19

MATL TITLE SWITCH
 FINISH MODLE TACT SWITCH Long Travel :0.9mm
 SCALE 1 : 1 DWG NO. TS-A69-7-S138
 SHEET NO. 1 of 1 PART NO. TS-A69-7-S138

SIZE A4
 VER R

ITEM NO. DESCRIPTION DRAWN DATE