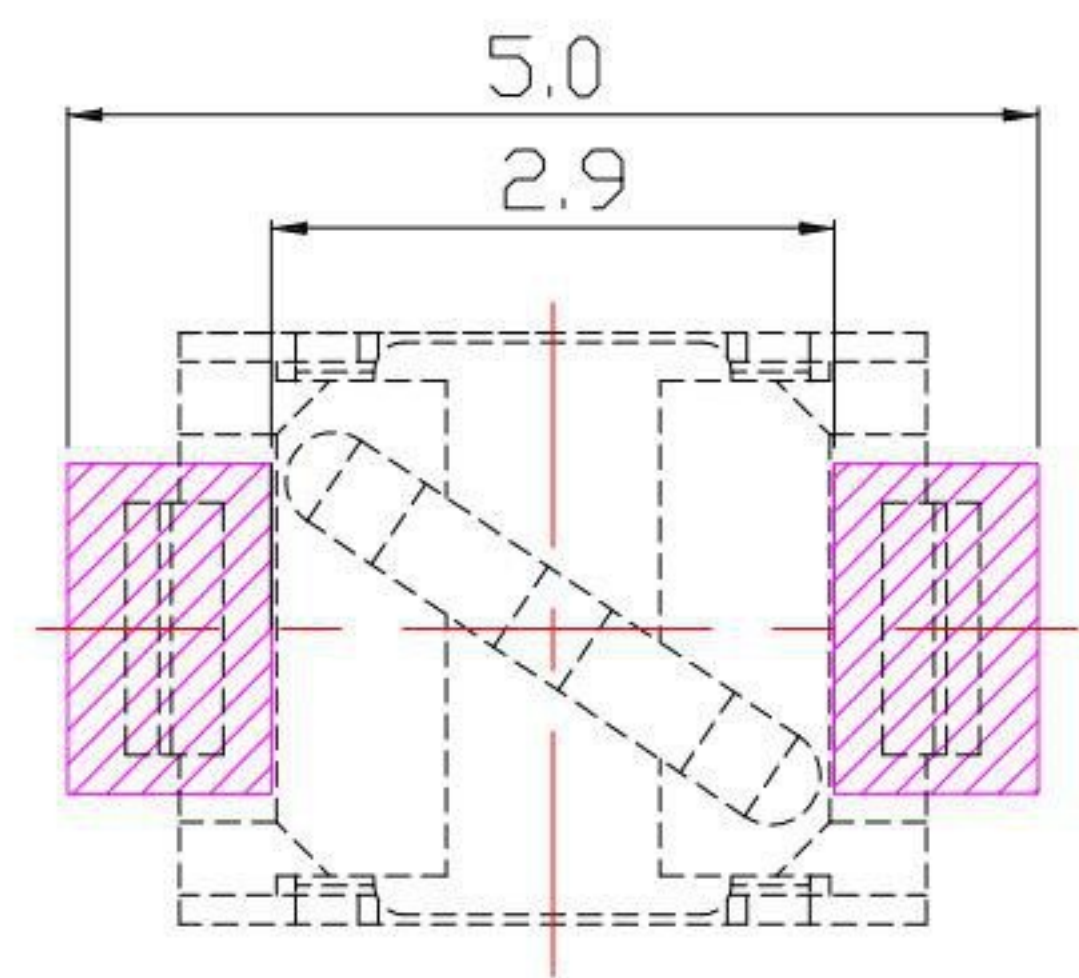
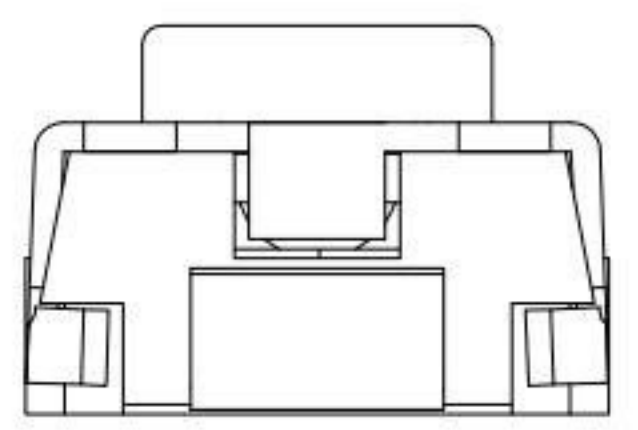
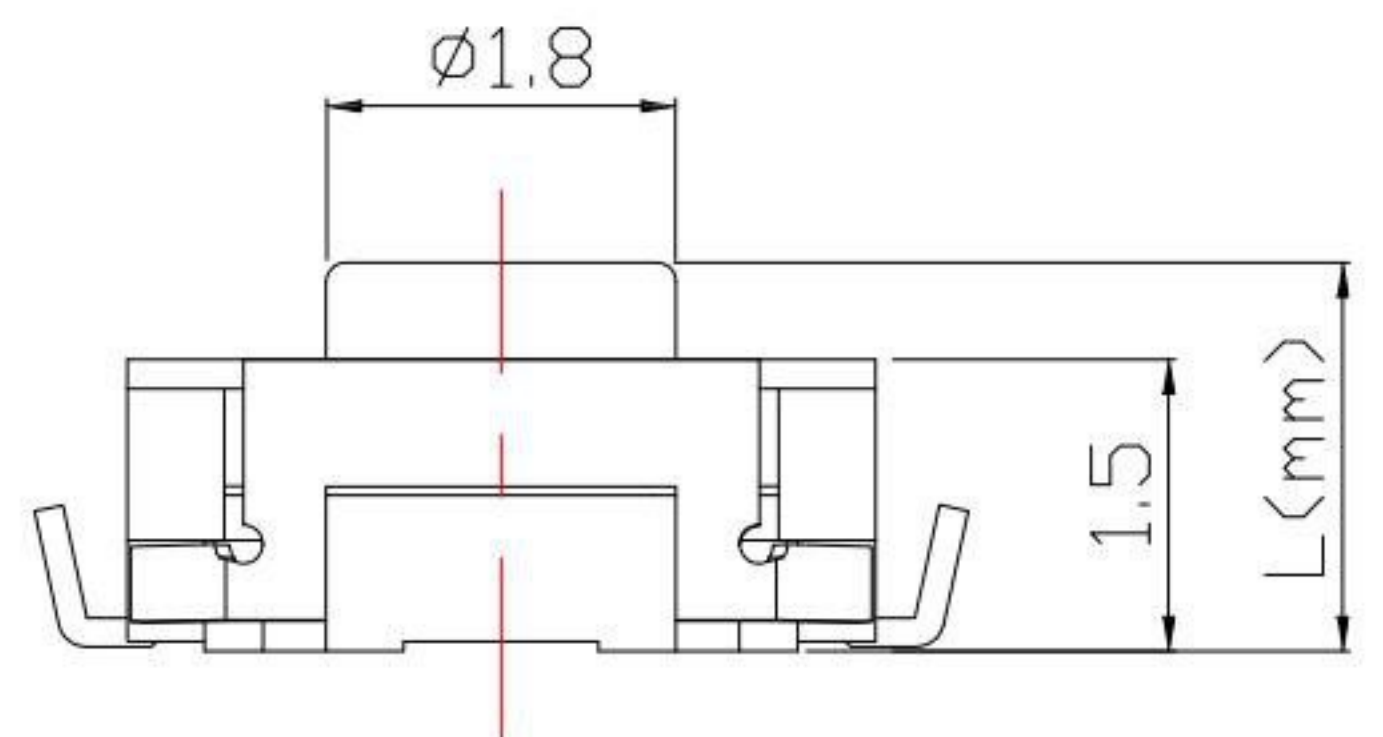


Model No.	L (mm)	Knob Color
TS-A85U	2.0	BLACK
TS-A85AU	2.5	BLACK
TS-A85GU	4.0	BLACK
TS-A85CU	7.0	BLACK

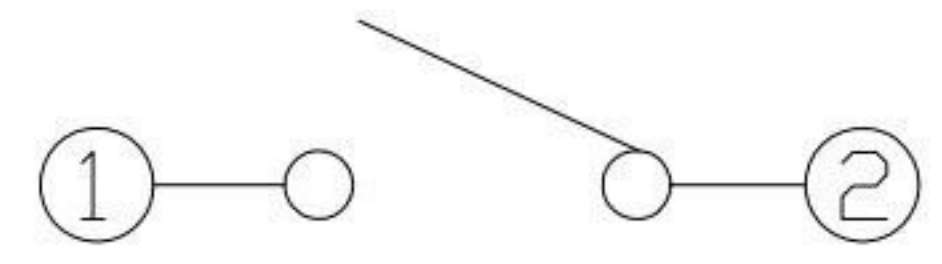
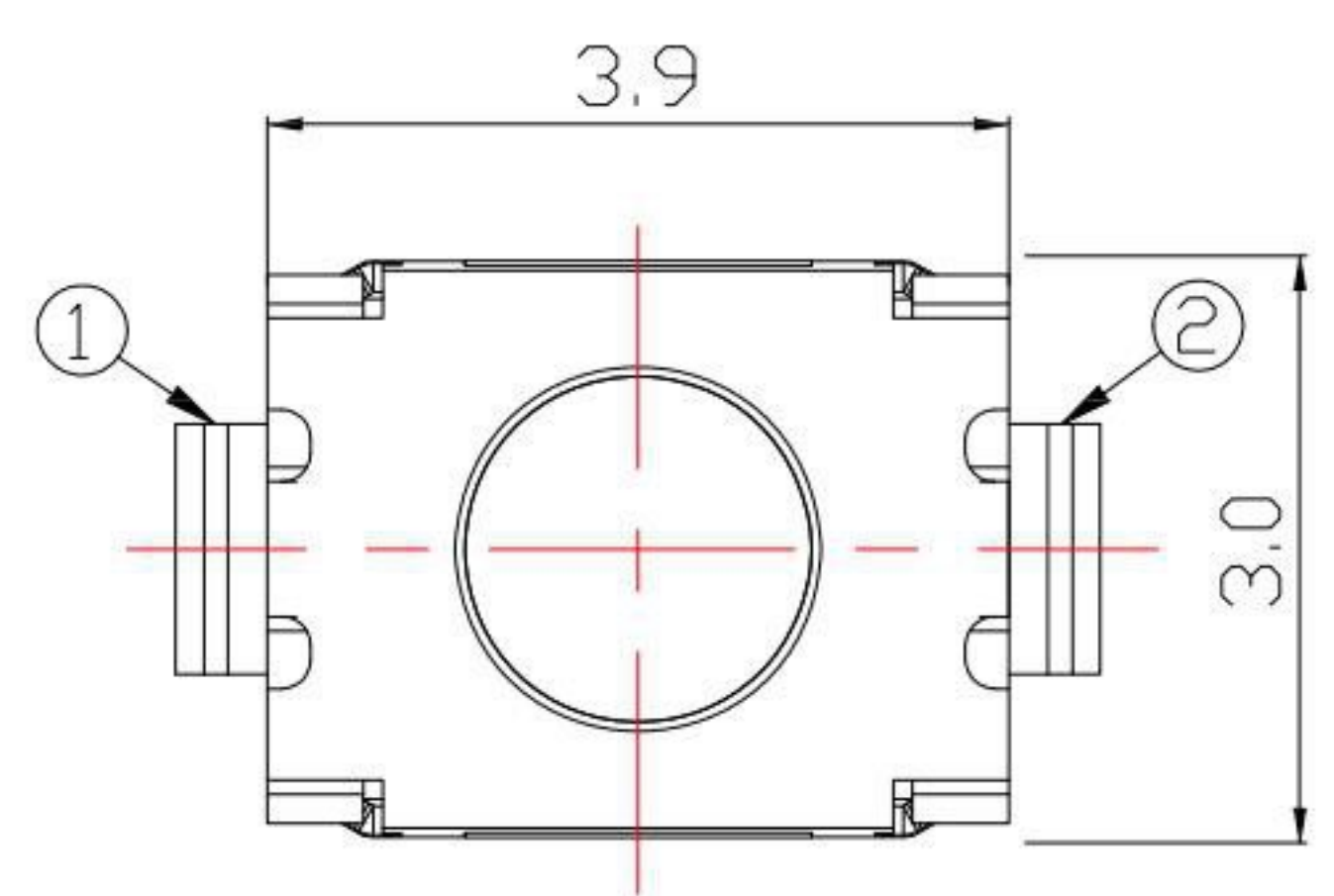


P.C.B. LAYOUT MOUNTING PATTERN



SPECIFICATIONS

Rating	DC 12V 50mA		
Contact Resistance	100mΩ Max.		
Travel	0.15 ± 0.1mm		
Operating Force	2 160±30gf	3 250±50gf	
Operating Life(cycles)	100,000		



CIRCUIT DIAGRAM

NO.	DESCRIPTION	QTY	MATERIAL	PLATING
F	DUST COVER	1	PI FILM	
E	TERMINAL	4	BRASS	Ag plated
D	CONTACT	1	SUS	Ag plated
C	COVER	1	SUS	
B	CASE	1	LCP	
A	STEM	1	LCP	

6	更新圖面	Jack	041123
5	新增材質表	Jack	080620
4	更新Knob Color	Jack	090516
3	更新高度選項	Jack	051916
2	更新travel	Jack	070815
1	刪除1.80高度選項	Jack	110714
ITEM NO.	DESCRIPTION	DRAWN	DATE

**KSD** 科斯达电子科技有限公司  
 SWITCH CONNECTOR KSD ELECTRONIC TECHNOLOGY Co., LTD  
 全球 互聯零組件製造企業

TOLERANCE UNLESS OTHERWISE STATED:

Up to 5	±0.2
Above 5 ~ 15	±0.3
Above 15 ~ 30	±0.4
Above 30 ~ 50	±0.5
Angle	±0.3°

3RD. ANGEL'S

UNITS MM

DRAWN BY:	DATE	MAT'L	TITLE	SWITCH
Jack Lu	04/11/23		MODLE	TACT SWITCH
CHECKED BY:	DATE	FINISH	DWG NO.	TS-A85xU-x-S126
Jacky Chen	04/11/23		PART NO.	TS-A85xU-x-S126
APPROVED BY:	DATE	SCALE	1:1	
Tony Kao	04/11/23	SHEET NO.	1 of 1	

SIZE A4  
VER R6