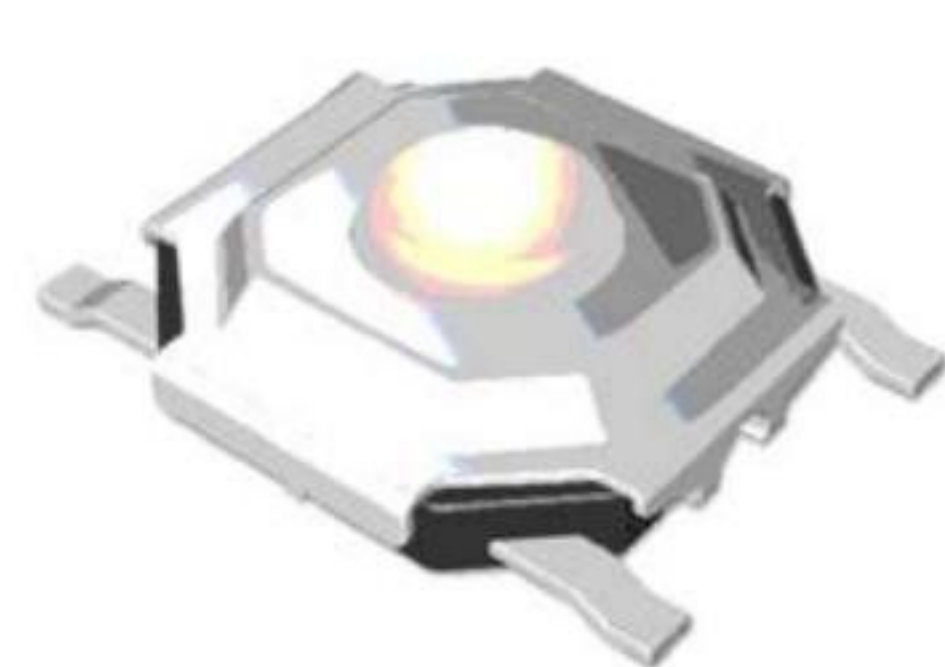
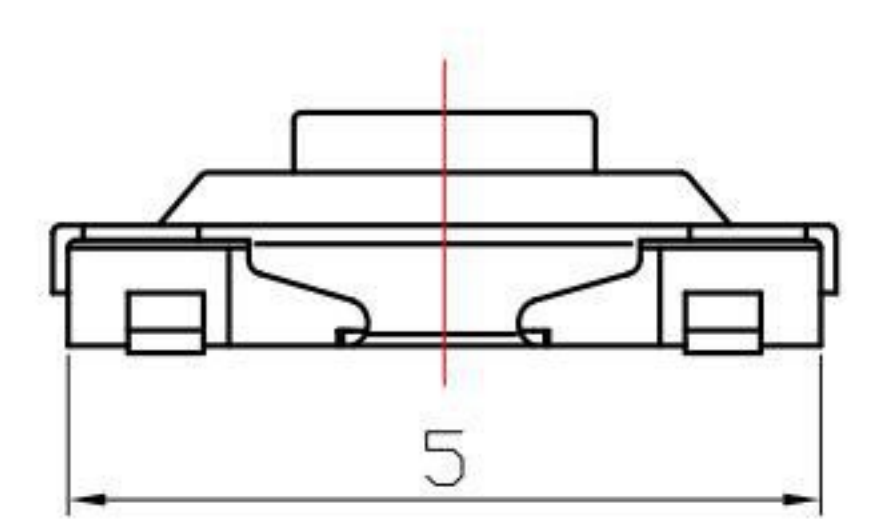
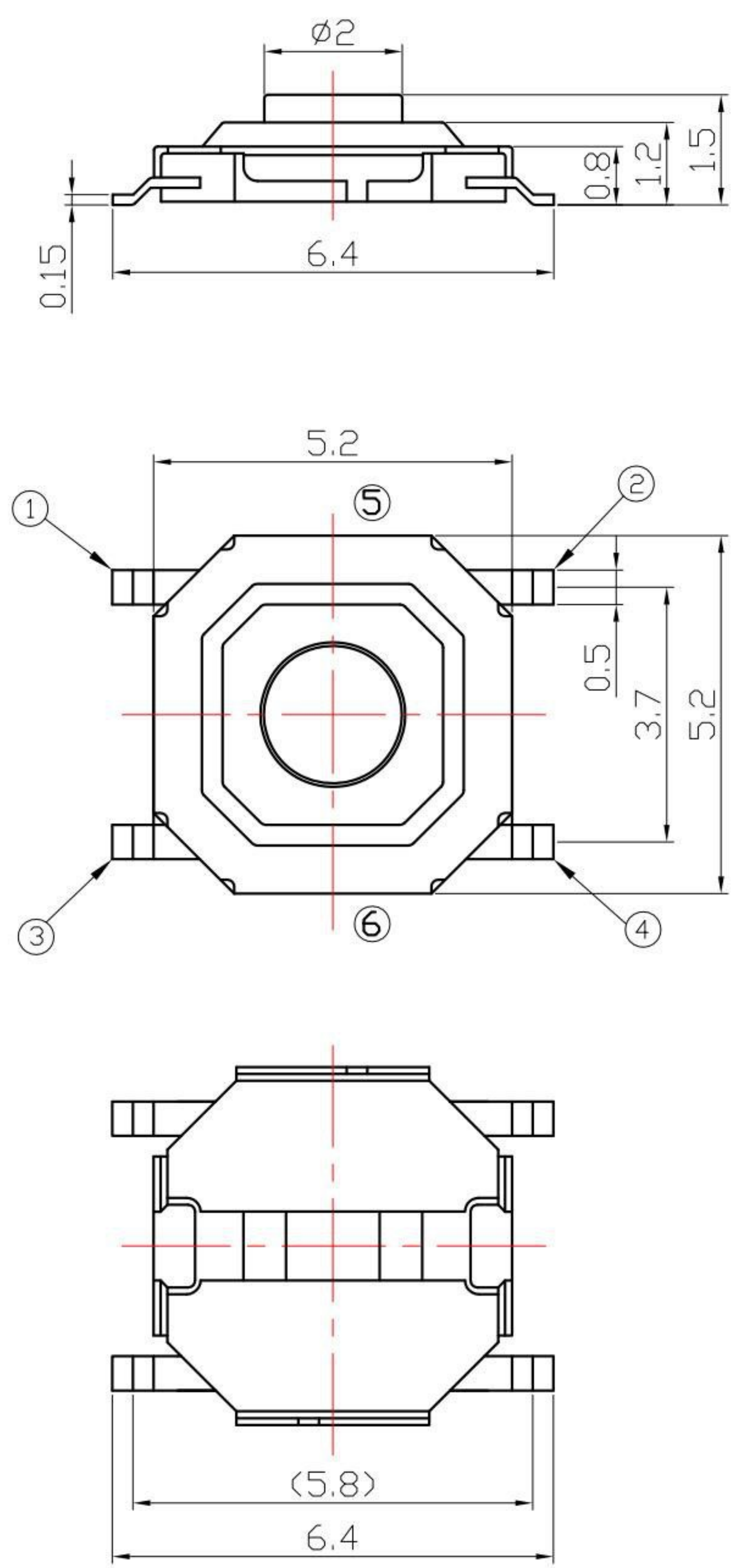
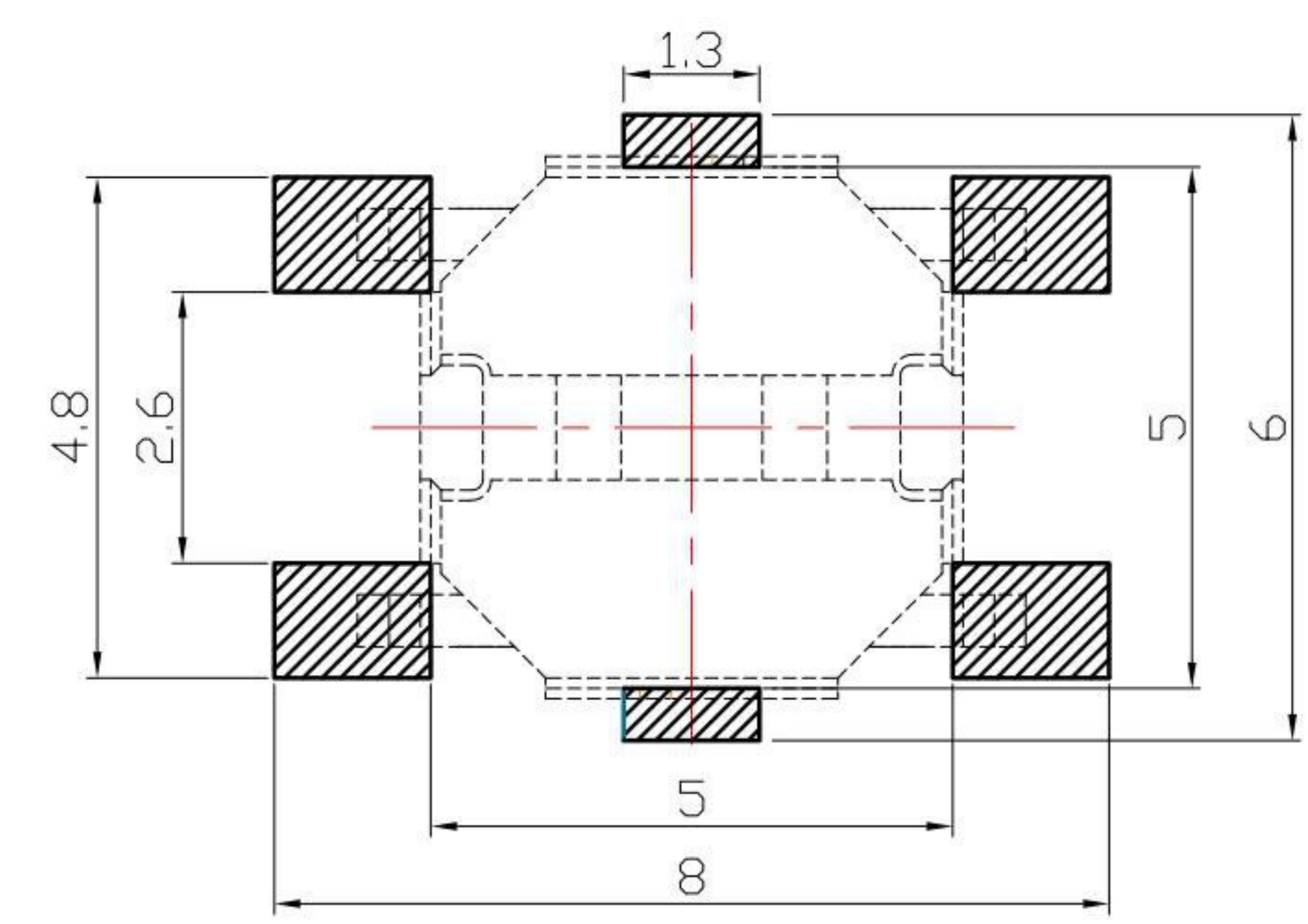


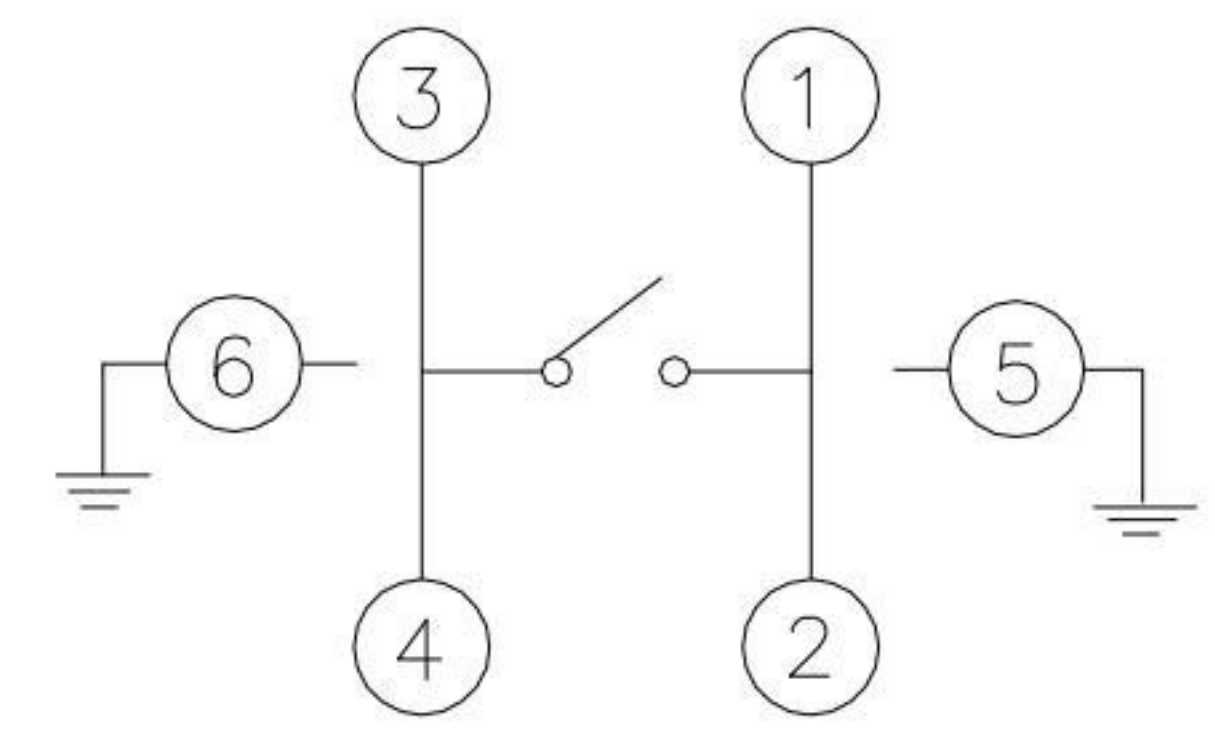
DIMENSIONS



P.C.B MOUNTING HOLE DIMENSIONS



CIRCUIT DIAGRAM



SPECIFICATIONS

Rating	DC 12V 50mA Max.		
Circuit	1P - 1C		
Contact Resistance	100mΩ Max.		
Travel	0.25 ± 0.1mm		
Operating Force	0	100 ± 30 gf	1 130 ± 30 gf 2 160 ± 50 gf 3 250 ± 50 gf
Operating Life(cycles)	100,000 cycles		

KSD 科斯达电子科技有限公司
 SWITCH CONNECTOR 全球互联网组件制造企业
KSD ELECTRONIC TECHNOLOGY Co., LTD

TOLERANCE UNLESS OTHERWISE STATED:	Up to 5 ±0.2	3RD. ANGEL'S	UNITS	MM
	Above 5 ~ 15 ±0.3			
	Above 15 ~ 30 ±0.4			
	Above 30 ~ 50 ±0.5			
	Angle ±0.3°			

DRAWN BY:	DATE	MAT'L	TITLE	SWITCH
Jack Lu	09/06/13		MODLE	TACT SWITCH
CHECKED BY:	DATE	FINISH	DWG NO.	TS-A87G-x-S126
Jacky Chen	09/06/13		PART NO.	TS-A87G-x-S126
APPROVED BY:	DATE	SCALE	SHEET NO.	1 of 1
Tony Kao	09/06/13	1 : 1		

ITEM NO.	DESCRIPTION	DRAWN	DATE
2	更新CIRCUIT DIAGRAM	Jack	090613
1	新增OP的選項	Jack	070213