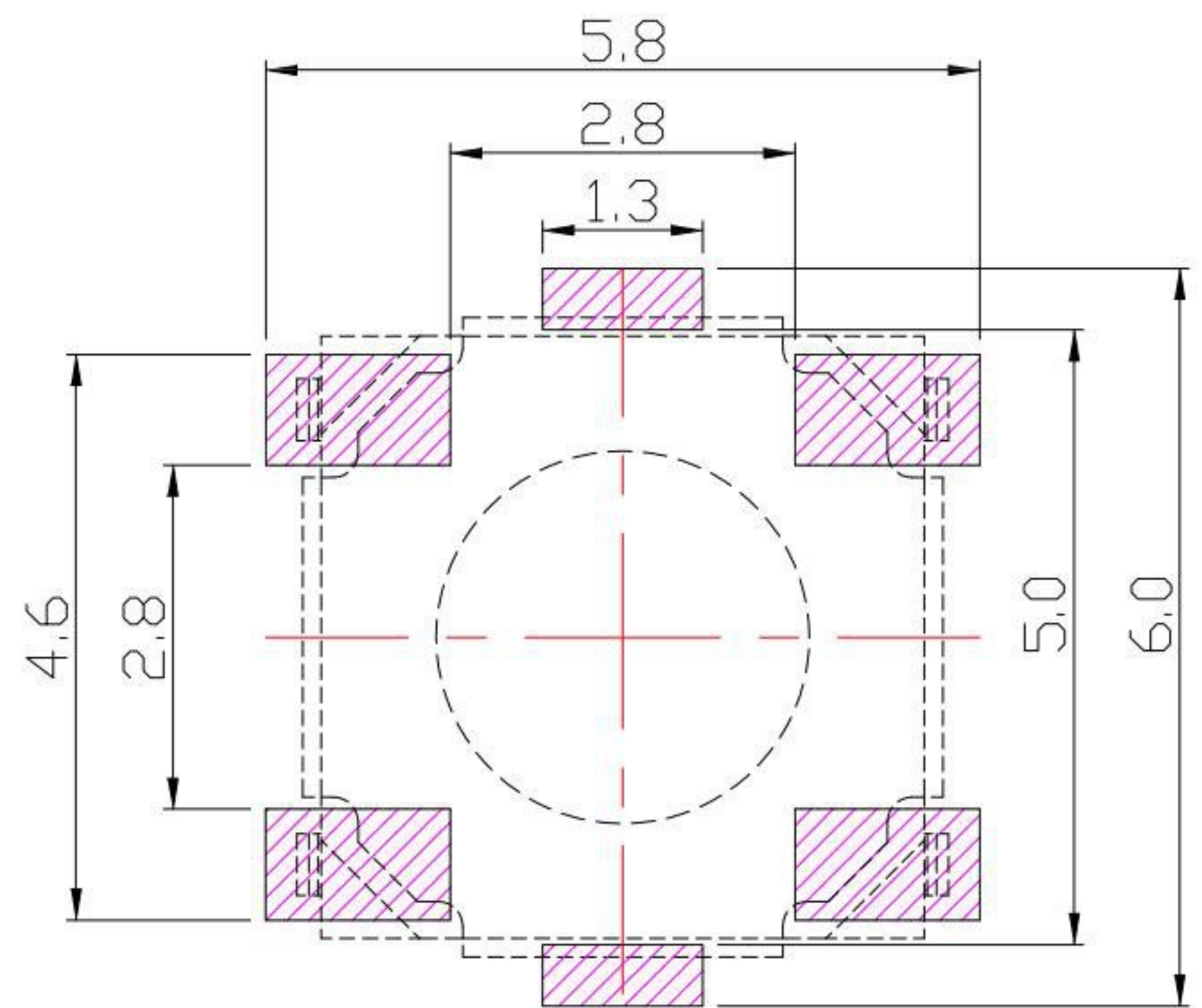
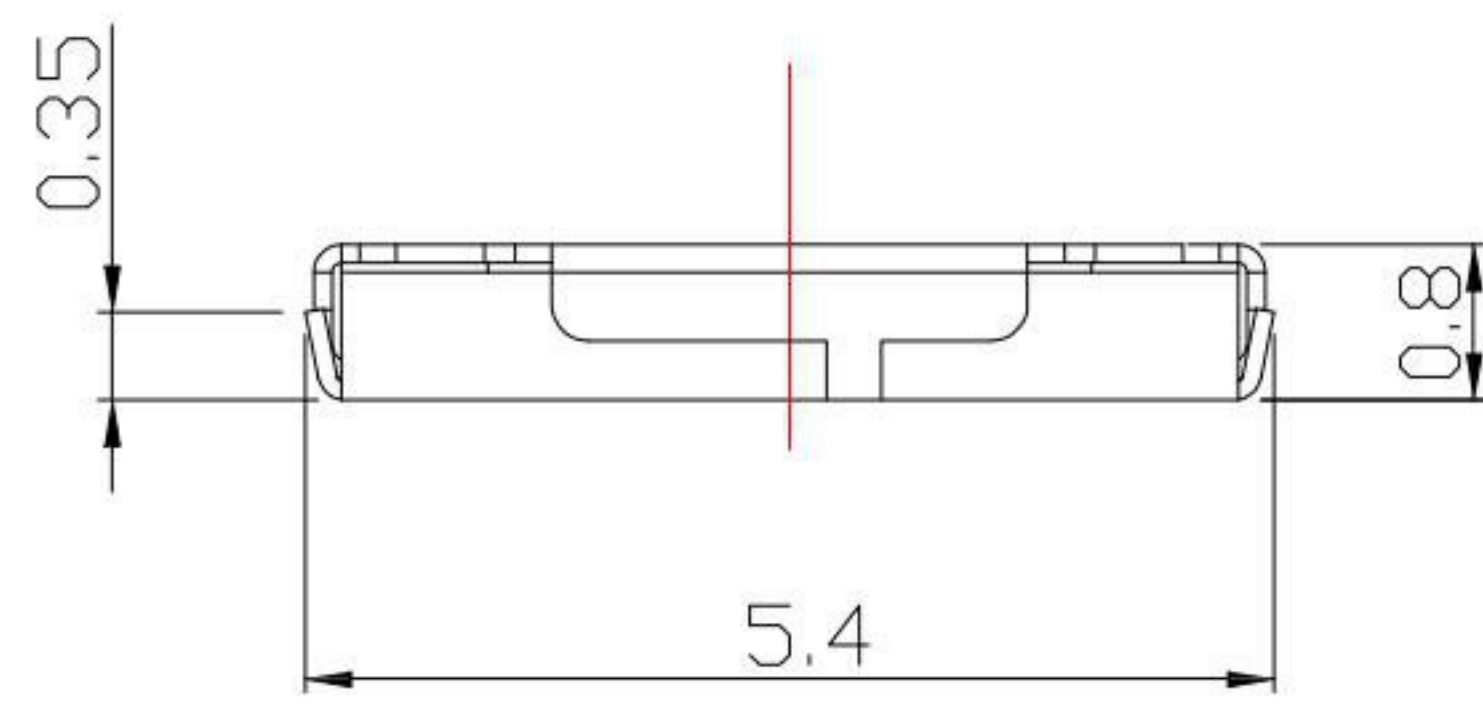


CIRCUIT DIAGRAM



P.C.B. LAYOUT MOUNTING PATTERN

SPECIFICATIONS

Rating	DC 12V 50mA Max.
Contact Resistance	100mΩ Max.
Travel	0.25 ± 0.1mm
Operating Force	2 160 ± 50gf 3 250 ± 50gf
Operating Life (cycles)	100,000

KSD 科斯达电子科技有限公司
 SWITCH CONNECTOR KSD ELECTRONIC TECHNOLOGY Co., LTD
 全球 互联 零 组件 制造 企业

TOLERANCE UNLESS OTHERWISE STATED:
 Up to 5 ±0.2
 Above 5 ~ 15 ±0.3
 Above 15 ~ 30 ±0.4
 Above 30 ~ 50 ±0.5
 Angle ±0.3

3RD. ANGEL'S

UNITS MM

DRAWN BY:	DATE	MAT'L	TITLE	SWITCH
Jack Lu	08/20/15		MODLE	TACT SWITCH
CHECKED BY:	DATE	FINISH	DWG NO.	TS-A87MPU-x-S126
Jacky Chen	08/20/15		PART NO.	TS-A87MPU-x-S126
APPROVED BY:	DATE	SCALE	SHEET NO.	1 of 1
Tony Kao	08/20/15	1 : 1		

ITEM NO.	DESCRIPTION	DRAWN	DATE

SIZE A4
 VER R