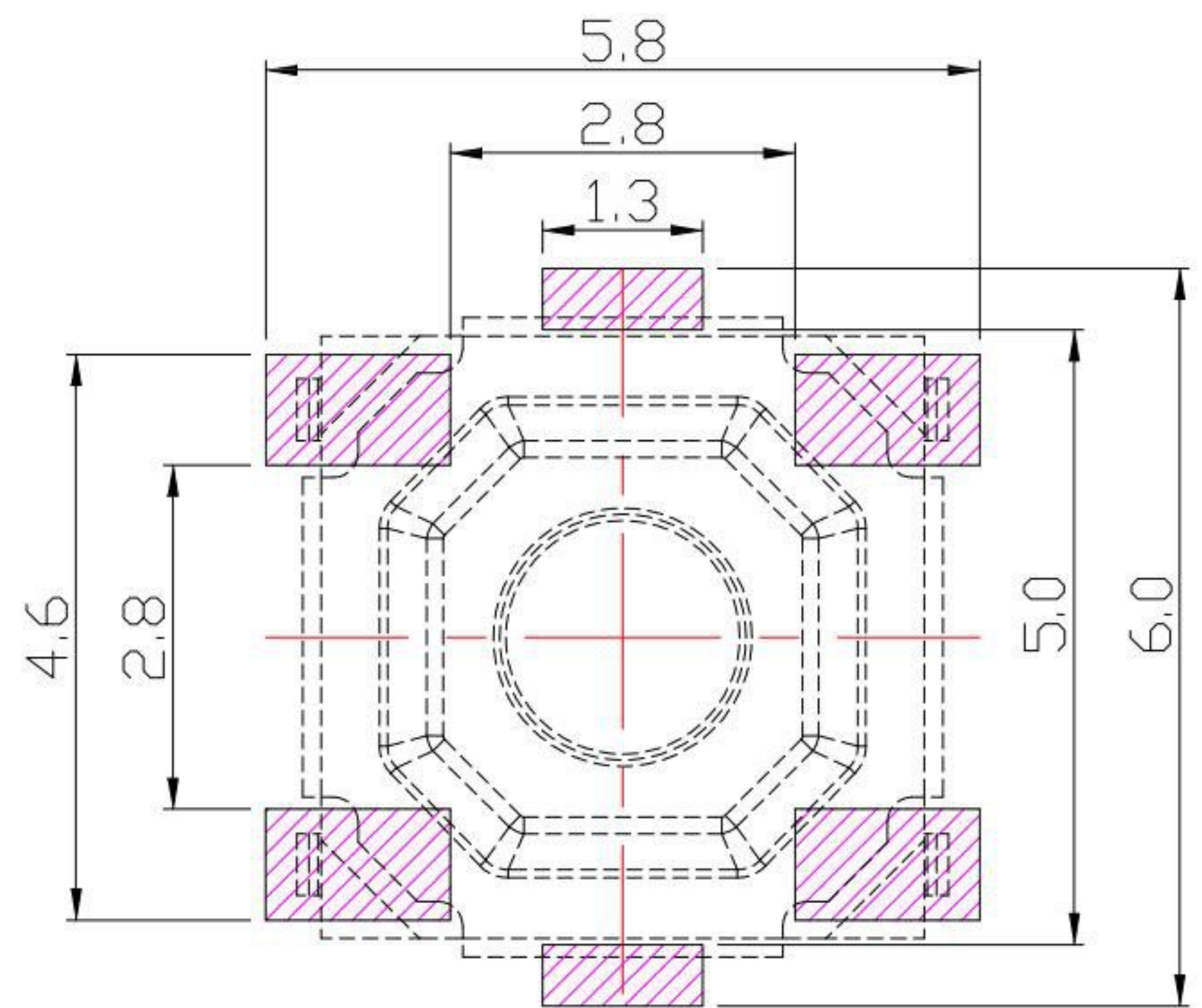
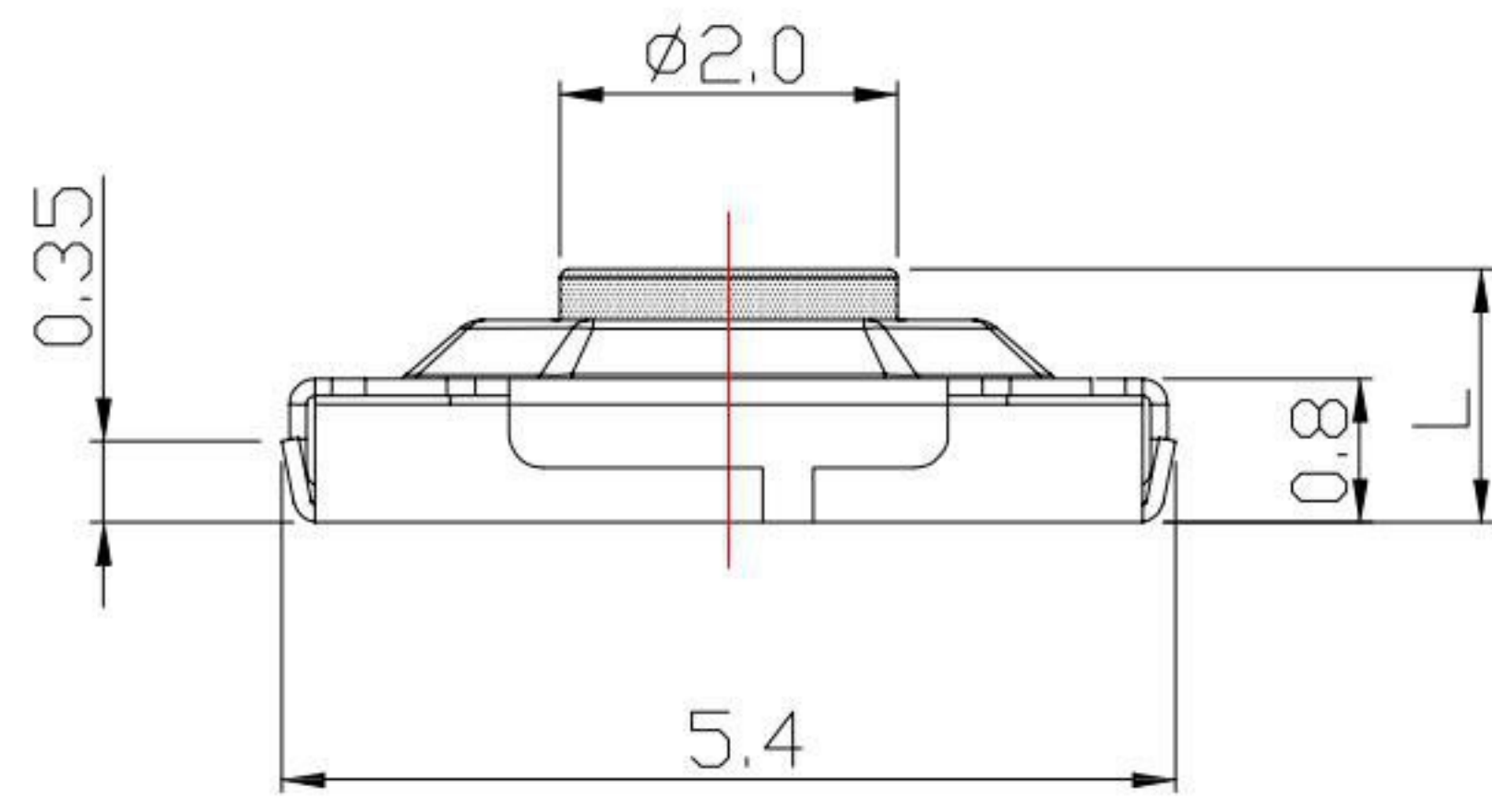


CIRCUIT DIAGRAM



P.C.B. LAYOUT MOUNTING PATTERN

Model No.	L (mm)	STEM MATERIAL
TS-A87PU	1.5	BRASS
TS-A87PUA	4.3	LCP
TS-A87PUB	1.7	LCP
TS-A87PUD	2.3	BRASS
TS-A87PUE	3.0	BRASS

SPECIFICATIONS

Rating	DC 12V 50mA Max.
Contact Resistance	100mΩ Max.
Travel	0.25 ± 0.1mm
Operating Force	2 160 ± 50gf 3 250 ± 50gf
Operating Life (cycles)	100,000

KSD 科斯达电子科技有限公司
 SWITCH CONNECTOR KSD ELECTRONIC TECHNOLOGY Co., LTD
 全球 互聯零組件製造企業

TOLERANCE UNLESS OTHERWISE STATED:
 Up to 5 ±0.2
 Above 5 ~ 15 ±0.3
 Above 15 ~ 30 ±0.4
 Above 30 ~ 50 ±0.5
 Angle ±0.3

3RD. ANGEL'S

UNITS MM

DRAWN BY:	DATE	MAT'L	TITLE	SWITCH
Jack Lu	06/27/14		MODLE	TACT SWITCH
CHECKED BY:	DATE	SCALE	DWG NO.	TS-A87PUx-x-S126
Jacky Chen	06/27/14	1 : 1	PART NO.	TS-A87PUx-x-S126
APPROVED BY:	DATE	SHEET NO.		
Tony Kao	06/27/14	1 of 1		

ITEM NO.	DESCRIPTION	DRAWN	DATE
2	更新高度選項及新增STEM MATERIAL	Jack	062714
1	更新CIRCUIT DIAGRAM	Jack	052614