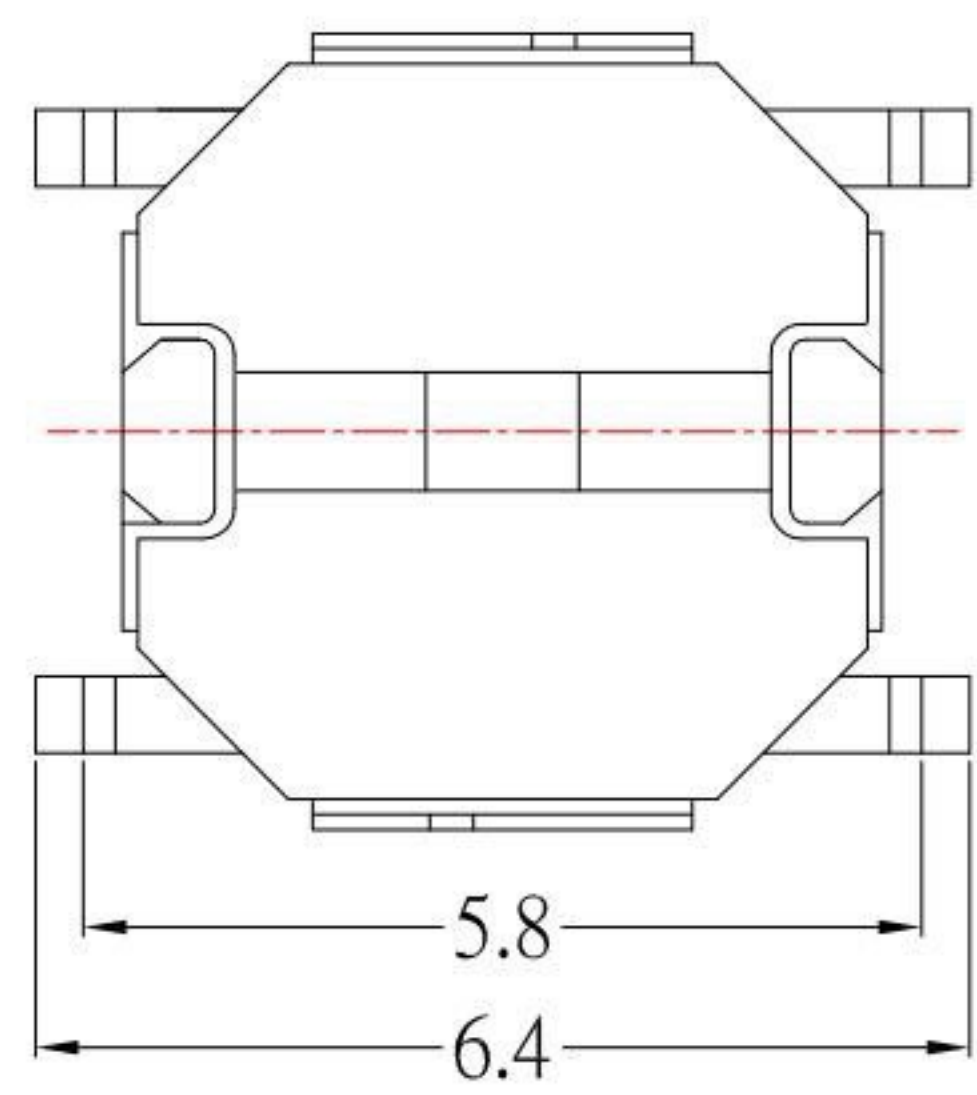
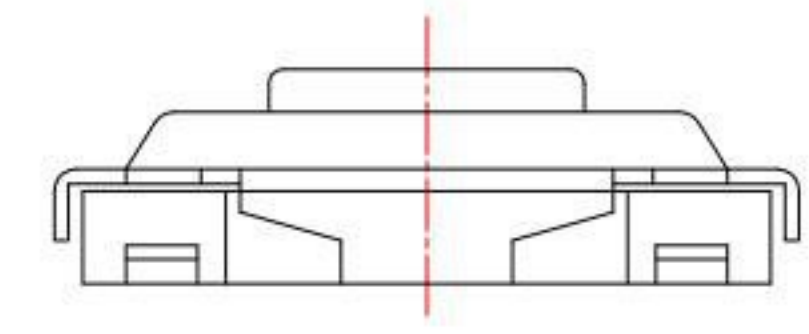
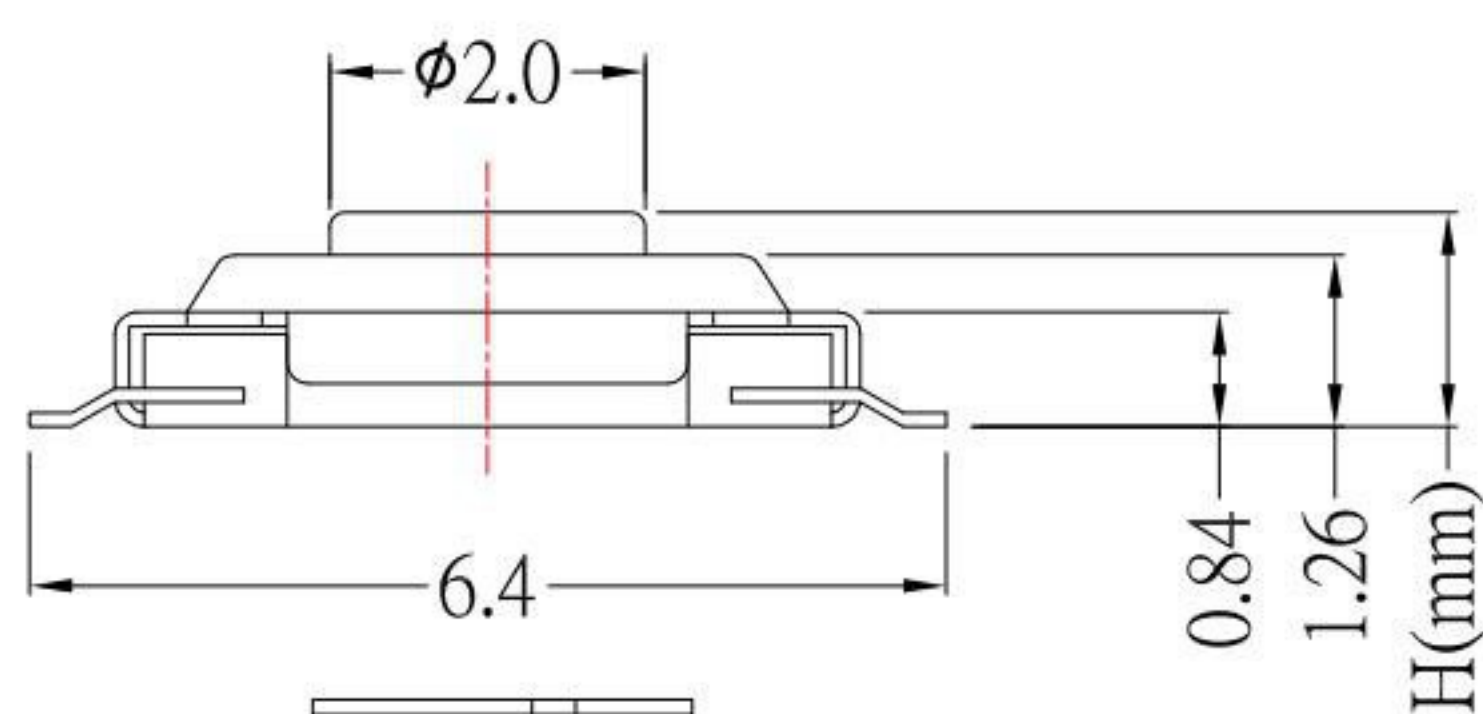


P.C.B MOUNTING PATTERN DIMENSION



SPECIFICATIONS

Model	H(mm)	STEM MATERIAL / COLOR
TS-A87	1.5	BRASS / Yellow
TS-A87Q	1.6	BRASS / Silver
TS-A87B	1.7	LCP / White
TS-A87B1	1.7	BRASS / Yellow
TS-A87C	2.0	BRASS / Yellow
TS-A87D	2.3	BRASS / Yellow
TS-A87F	2.5	BRASS / Yellow
TS-A87E	3.0	BRASS / Yellow
TS-A87A	4.3	LCP / Black

Rating	DC 12V 50mA									
Contact Resistance	100mΩ Max.									
Travel	0.20 ± 0.1mm									
Operating Force	0	100 ± 30gf	1	130 ± 30gf	2	160 ± 50gf	3	250 ± 50gf	4	320 ± 50gf
Operating Life (cycles)	100,000			80,000		50,000				

NO.	DESCRIPTION	QTY	MATERIAL	PLATING
F	DUST COVER	1	PI FILM	
E	TERMINAL	4	BRASS	Ag plated
D	CONTACT	1	SUS	Ag plated
C	COVER	1	SUS	
B	CASE	1	LCP	
A	STEM	1	BRASS/LCP	

10	新增高度B1選項	Jack	081015	14	更新MODLE	Jack	041817				
9	新增高度3.3選項	Jack	041515	13	新增Operating Force:320320 ± 50gf	Jack	031517	17	新增材質表	Jack	081120
8	更新料號	Jack	080114	12	新增高度選項	Jack	041516	16	新增STEM顏色	Jack	011119
7	新增高度選項	Jack	071614	11	新增高度選項	Jack	122815	15	更新高度選項	Jack	032717

KSD 科斯达电子科技有限公司
 SWITCH CONNECTOR KSD ELECTRONIC TECHNOLOGY Co., LTD
 全球 互聯零組件 制造企业

TOLERANCE UNLESS OTHERWISE STATED:
 Up to 5 ±0.2
 Above 5 ~ 15 ±0.3
 Above 15 ~ 30 ±0.4
 Above 30 ~ 50 ±0.5
 Angle ±0.3°

3RD. ANGEL'S

UNITS MM

DRAWN BY: Jack Lu DATE: 08/11/20
 CHECKED BY: Jacky Chen DATE: 08/11/20
 APPROVED BY: Tony Kao DATE: 08/11/20

MAT'L		TITLE	SWITCH
FINISH		MODLE	TACT SWITCH 圓型蓋
SCALE	1 : 1	DWG NO.	TS-A87x-x-S126
SHEET NO.	1 of 1	PART NO.	TS-A87x-x-S126

ITEM NO.	DESCRIPTION	DRAWN	DATE
6	更新pcb layout外殼無接地及高度選項及新增STEM MATERIAL	Jack	062714
5	新增Operating Force選項100gf	Jack	032014
4	新增高度選項	Jack	031414
3	更新實體圖及背面圖及pcb layout	Jack	021414
2	更新實體圖	Jack	062113
1	更新SPEC	Jack	042213

SIZE A4
 VER A17