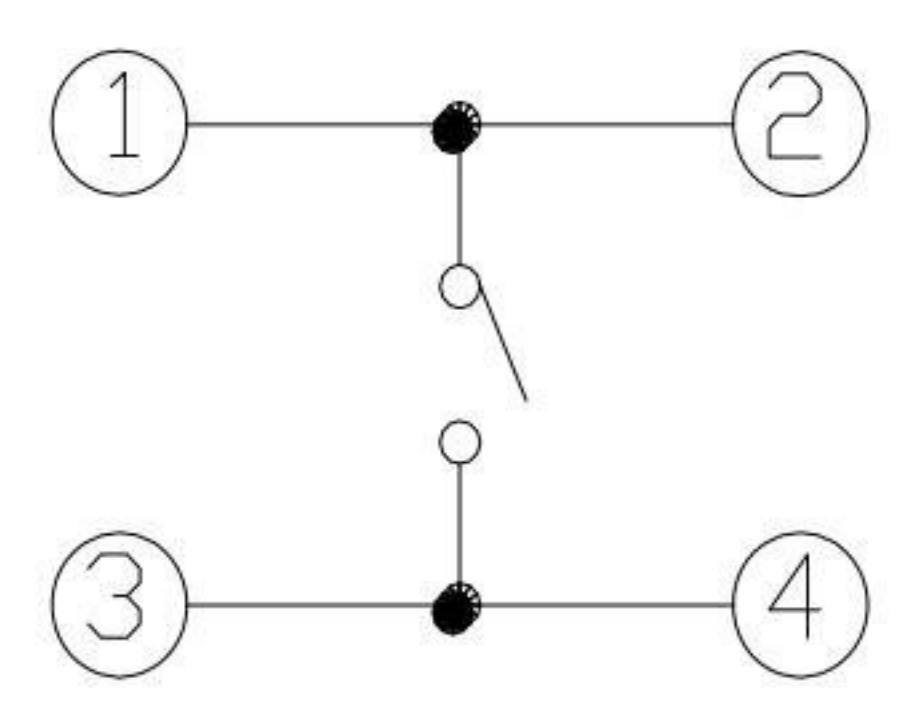


P.C.B LAND PATTERN



CIRCUIT DIAGRAM

SPECIFICATIONS

Rating	50mA 12V DC
Insulation Resistance	100MΩ Min.
Dielectric Withstanding Voltage	AC 250 V
Contact Resistance	100mΩ Max.
Operating Force	2   160 ± 50gf   3   260 ± 50gf
Operating Life(cycles)	70,000

NO.	DESCRIPTION	QTY	MATERIAL	PLATING
D	FILM	1		
C	CONTACT	1	SUS	Ag plated
B	BASE	1	LCP(Black)	
A	THERMINAL	4	PHOSPHOR BRONZE	

**KSD** 科斯达电子科技有限公司  
 SWITCH CONNECTOR KSD ELECTRONIC TECHNOLOGY Co., LTD  
 全球 互联零组件制造企业

TOLERANCE UNLESS OTHERWISE STATED:	Up to 5 ±0.2 Above 5 ~ 15 ±0.3 Above 15 ~ 30 ±0.4 Above 30 ~ 50 ±0.5 Angle ±0.3°	3RD. ANGEL'S	UNITS	MM
------------------------------------	--	--------------	-------	----

DRAWN BY:	DATE	MAT'L	TITLE	SWITCH
Jack Lu	12/30/22		MODLE	TACT SWITCH
CHECKED BY:	DATE	FINISH	DWG NO.	TS-A96-x-S410
Jacky Chen	12/30/22		PART NO.	TS-A96-x-S410
APPROVED BY:	DATE	SCALE	1:1	
Tony Kao	12/30/22	SHEET NO.	1 of 1	

ITEM NO.	DESCRIPTION	DRAWN	DATE
1	更新PIN編號位置	Jack	123022