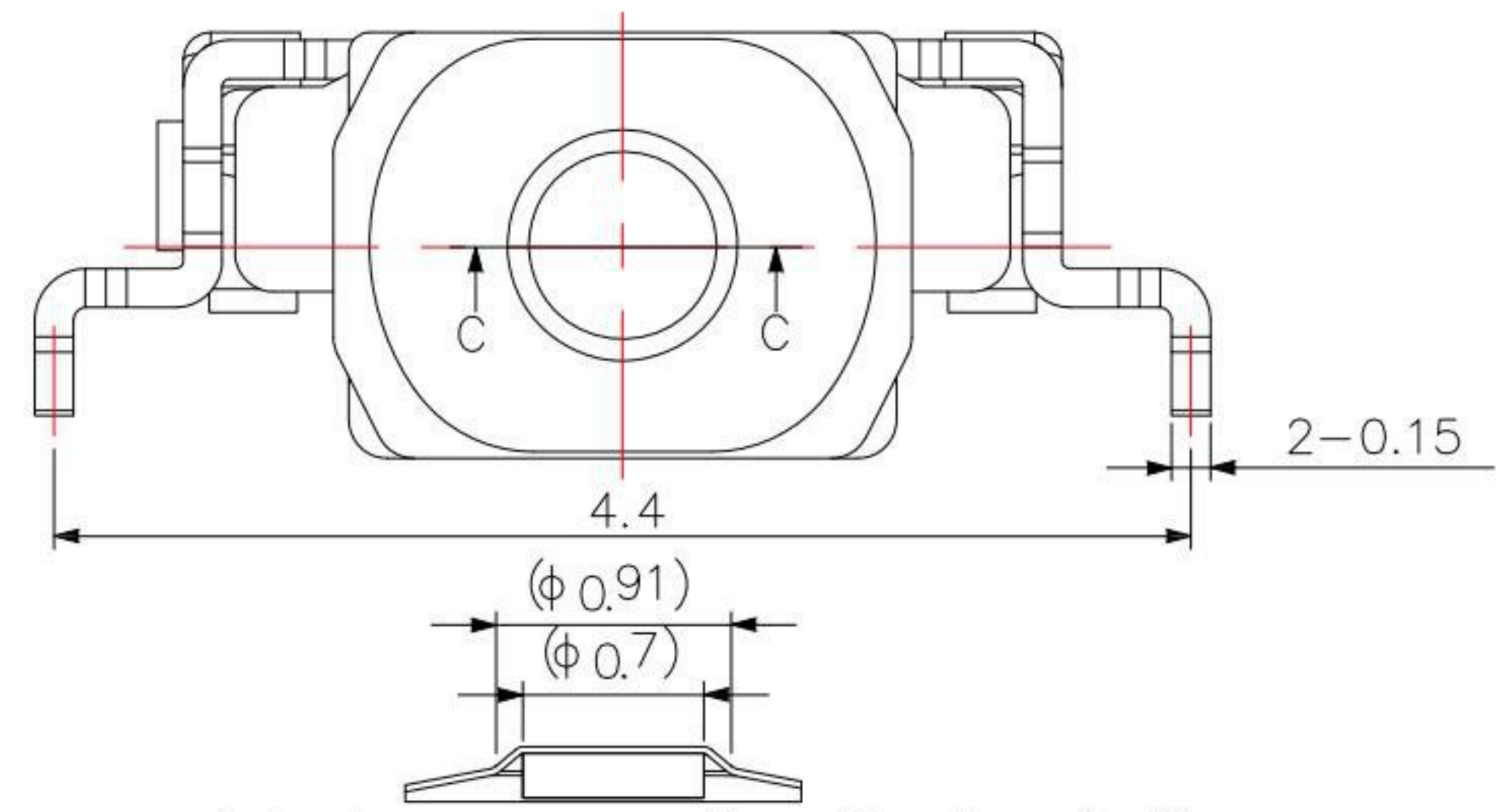
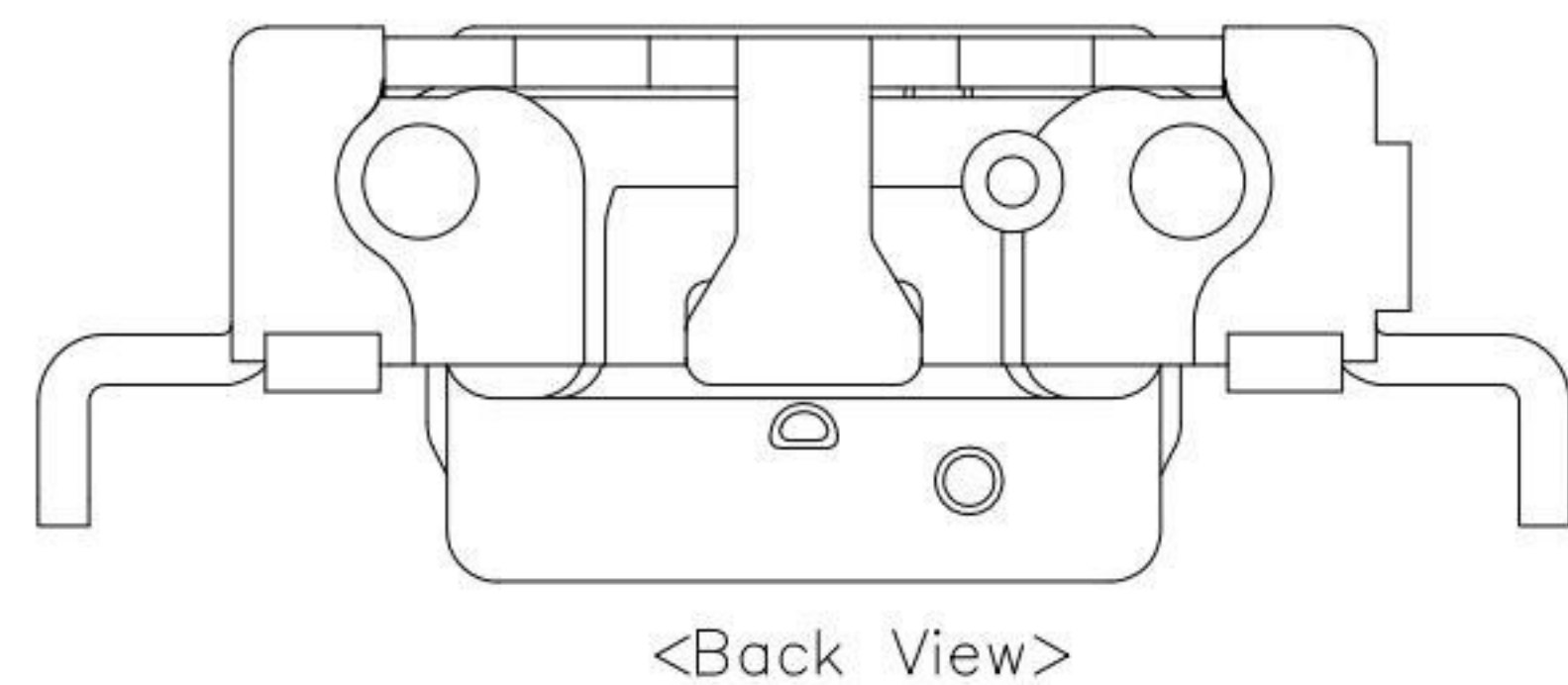
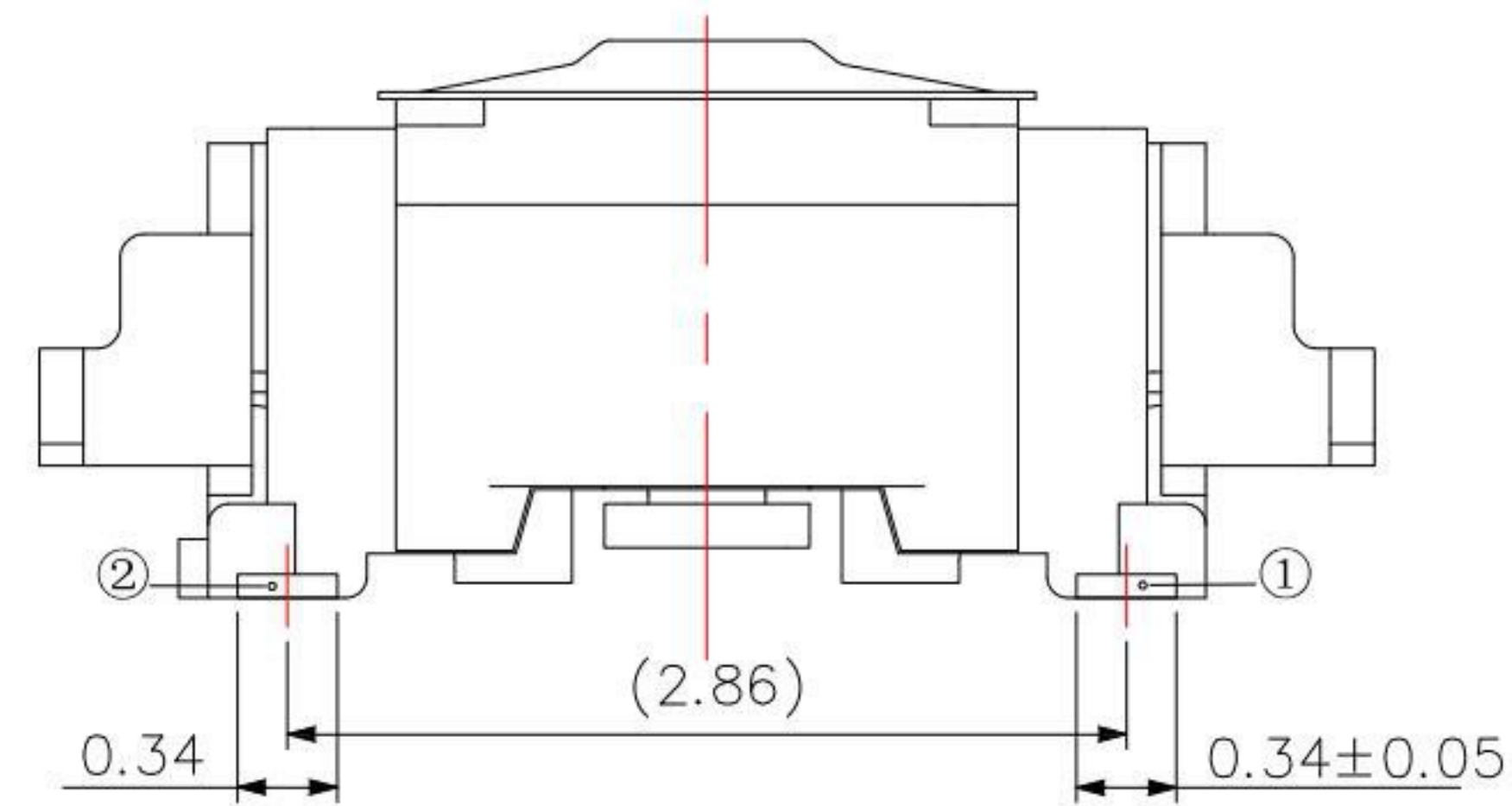
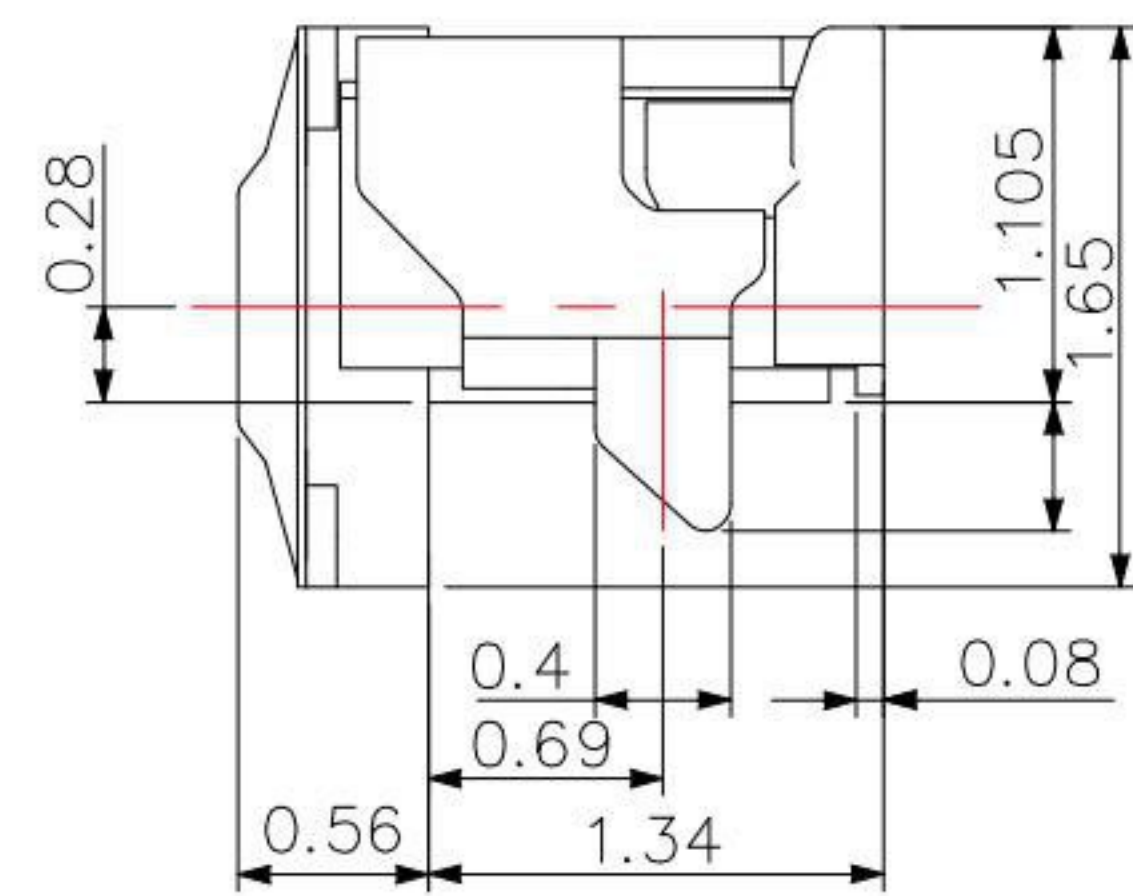


CIRCUIT DIAGRAM

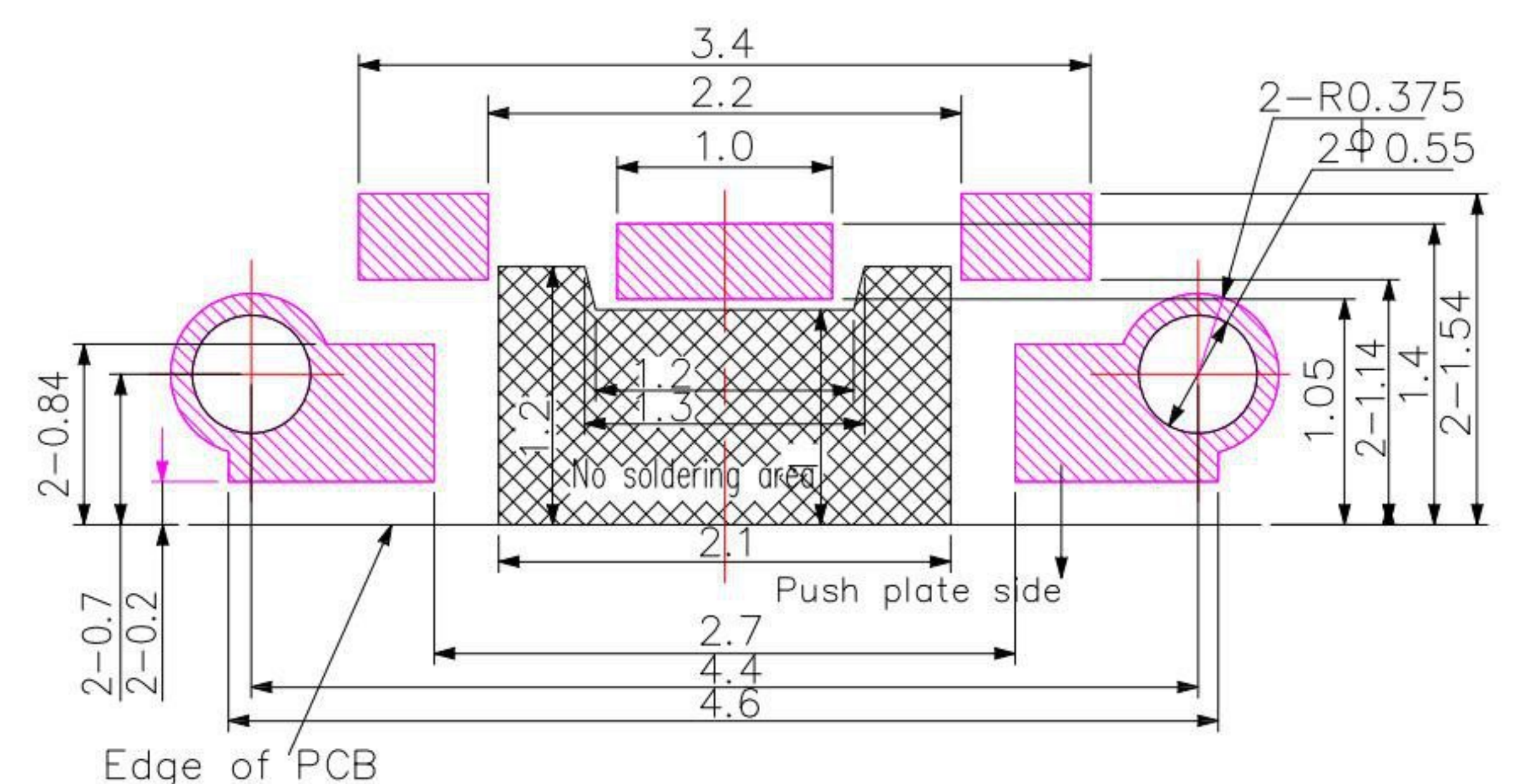


Actuator cross section (Section C-C)



<Back View>

IP67



PCB LAYOUT

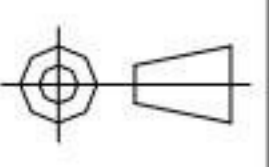
SPECIFICATIONS

Rating	DC 15V 20mA.					
Insulation Resistance	50 MΩ Min.					
Contact Resistance	500 mΩ Max.					
Dielectric Withstanding Voltage	AC 250V for 1 min					
Operating Force	0	100 ± 30gf	2	160 ± 50gf	3	240 ± 50gf
Travel	0.08mm		0.11mm			
Operating Life (cycles)	500,000					

KSD 科斯达电子科技有限公司
 SWITCH CONNECTOR KSD ELECTRONIC TECHNOLOGY Co., LTD
 全球 互聯零組件製造企業

TOLERANCE UNLESS OTHERWISE STATED:
 Up to 5 ±0.2
 Above 5 ~ 15 ±0.3
 Above 15 ~ 30 ±0.4
 Above 30 ~ 50 ±0.5
 Angle ±0.3°

3RD. ANGEL'S



UNITS

MM

DRAWN BY:	DATE	MAT'L	TITLE	SWITCH
Jack Lu	04/29/22		MODLE	TACT SWITCH(IP67)
CHECKED BY:	DATE	FINISH	DWG NO.	TS-A99W-x-S182
Jacky Chen	04/29/22		PART NO.	TS-A99W-x-S182
APPROVED BY:	DATE	SCALE	SHEET NO.	1 of 1
Tony Kao	04/29/22	1 : 1		

1	更新料號及新增Travel	Jack	042922
ITEM NO.	DESCRIPTION	DRAWN	DATE