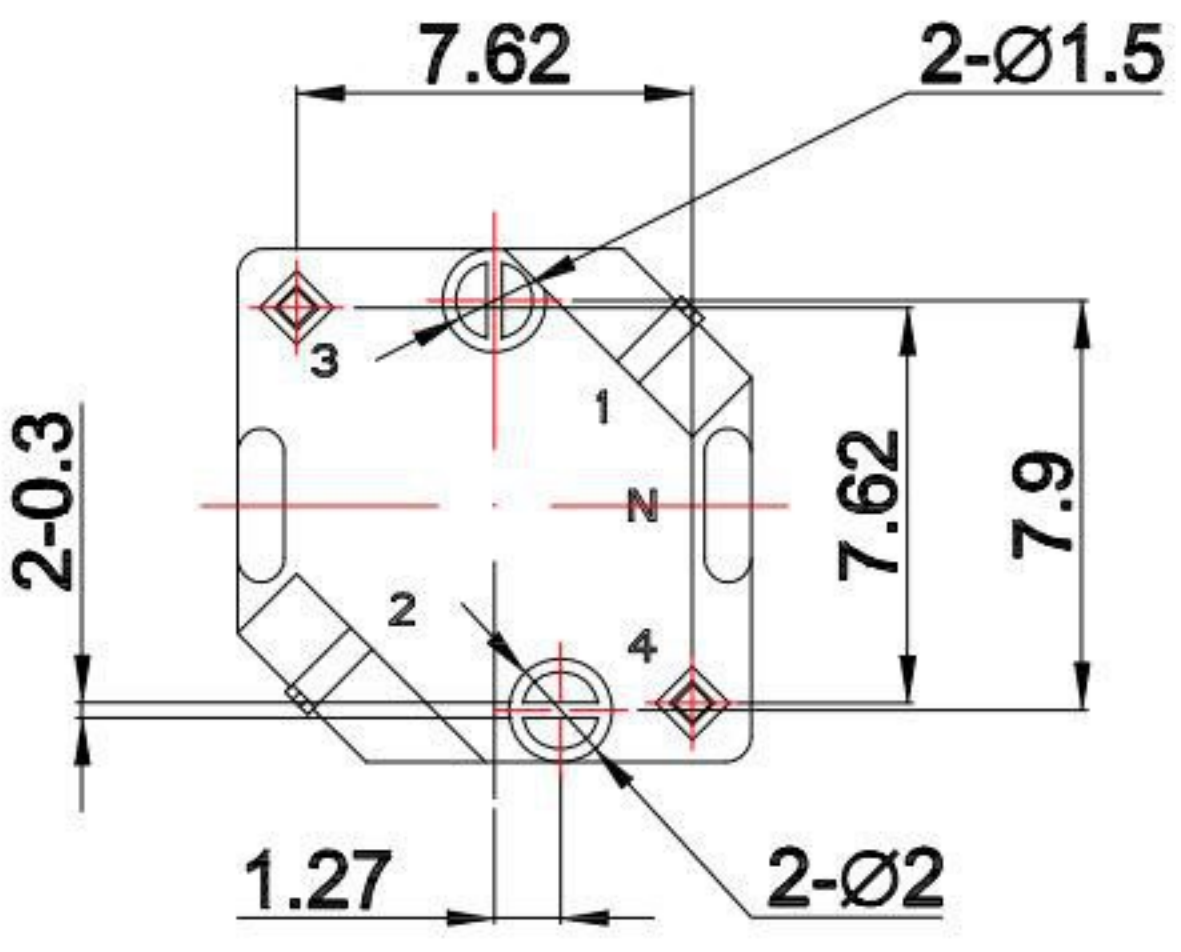
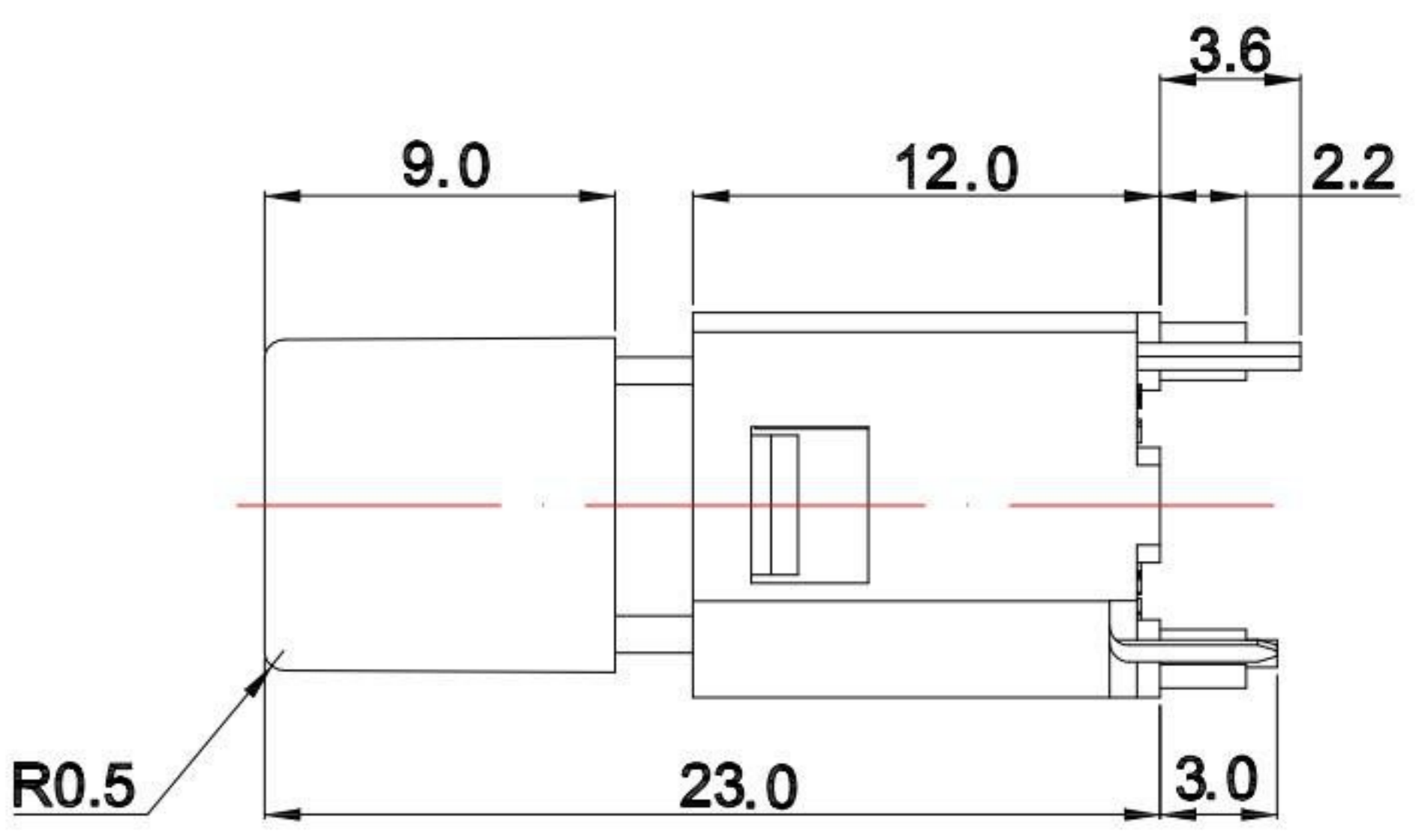
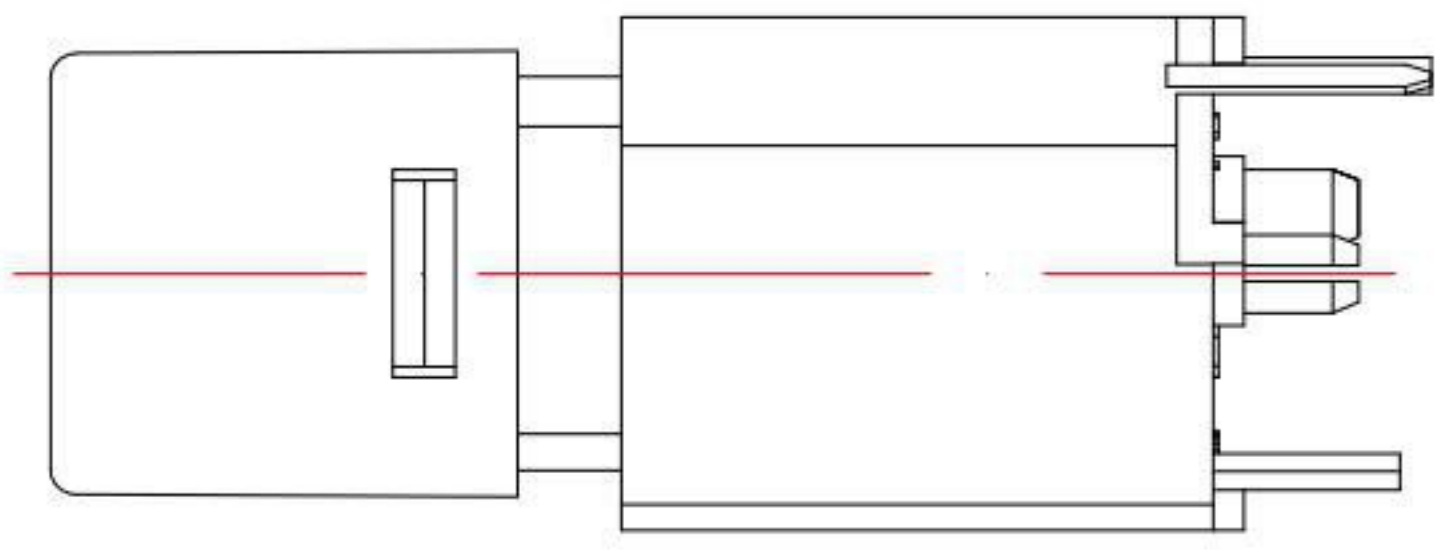


P.C.B LAYOUT

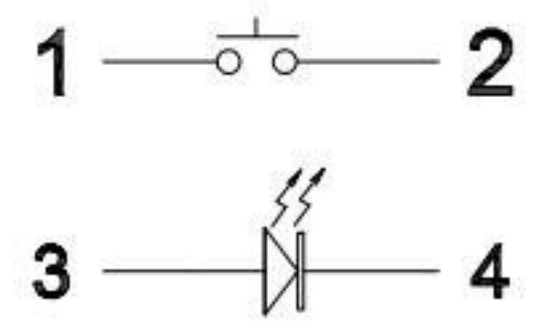
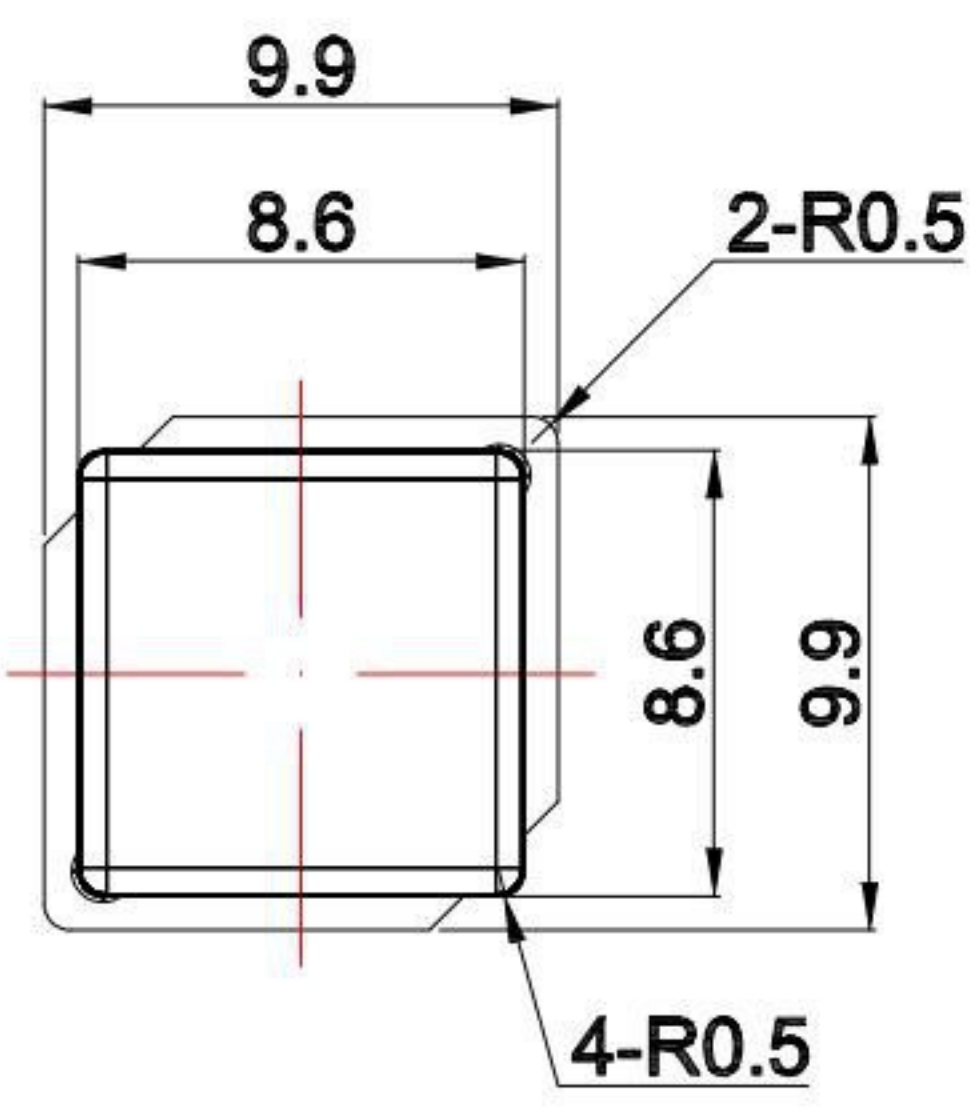


SPECIFICATIONS

Rating	DC 20V 1mA
Contact Resistance	200 mΩ Max.
Insulation Resistance	100 MΩ Min.
Operating Temperature	-40°C ~ +85°C
Operating Force	125 ± 35gf
Operating Life (cycles)	300,000



TS-H3-xx-C0xx-S065



SCHEMATIC

COLOR OF LED

0	Without	1	Red
2	Green	3	Orange
4	Yellow	7	Blue
8	White		

CAP Color

0	Without	1	Red
2	Green	3	Yellow
4	Ivory	5	Gray
6	Black	8	White

CAP MODEL

S1	6.0mm Sq
S2	8.6mm Sq
S2A	8.6mm Sq
S3	11.0mm Sq
S3A	12.5mm Sq
S4	11.0mm Sq

KSD 科斯达电子科技有限公司
 SWITCH CONNECTOR KSD ELECTRONIC TECHNOLOGY Co., LTD
 全球 互联零组件制造企业

TOLERANCE UNLESS OTHERWISE STATED:	Up to 5 ±0.2	3RD. ANGEL'S	UNITS	MM
	Above 5 ~ 15 ±0.3			
	Above 15 ~ 30 ±0.4			
	Above 30 ~ 50 ±0.5			
	Angle ±0.3			

DRAWN BY:	DATE	MAT'L	TITLE	SWITCH
Jack Lu	02/09/18		MODLE	TACT SWITCH WI LED
CHECKED BY:	DATE	FINISH	DWG NO.	TS-H3-xx-C0xx-S065
Jacky Chen	02/09/18		SHEET NO.	1 of 1
APPROVED BY:	DATE	SCALE	PART NO.	TS-H3-xx-C0xx-S065
Tony Kao	02/09/18	1 : 1		

ITEM NO.	DESCRIPTION	DRAWN	DATE