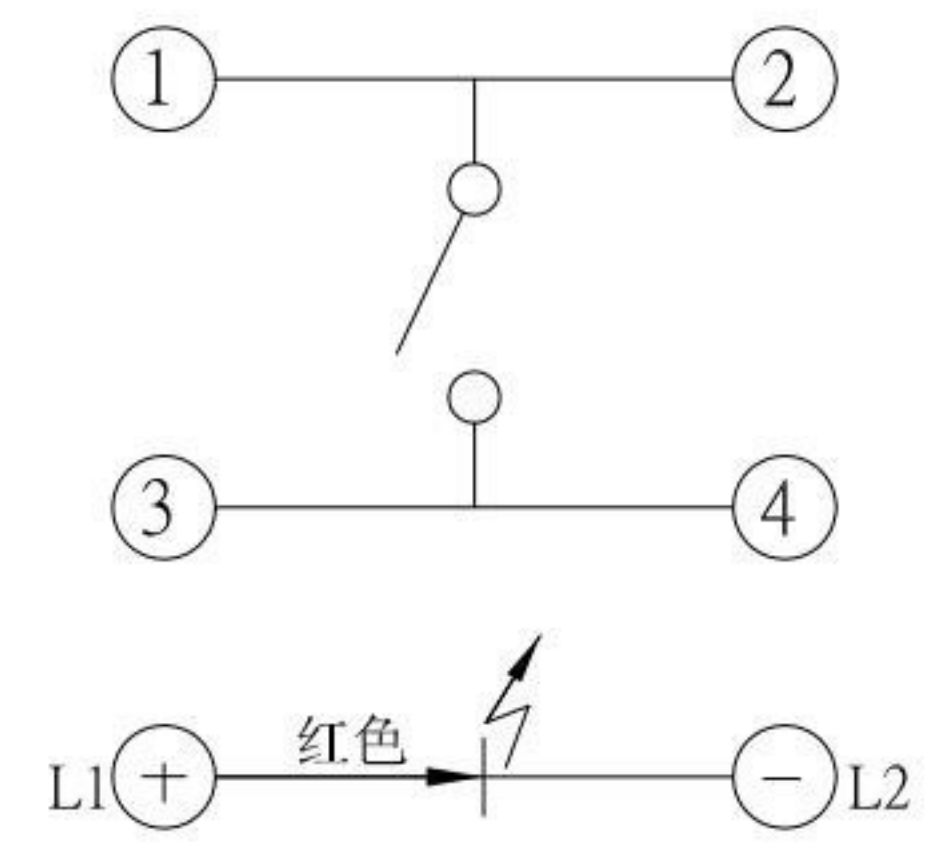
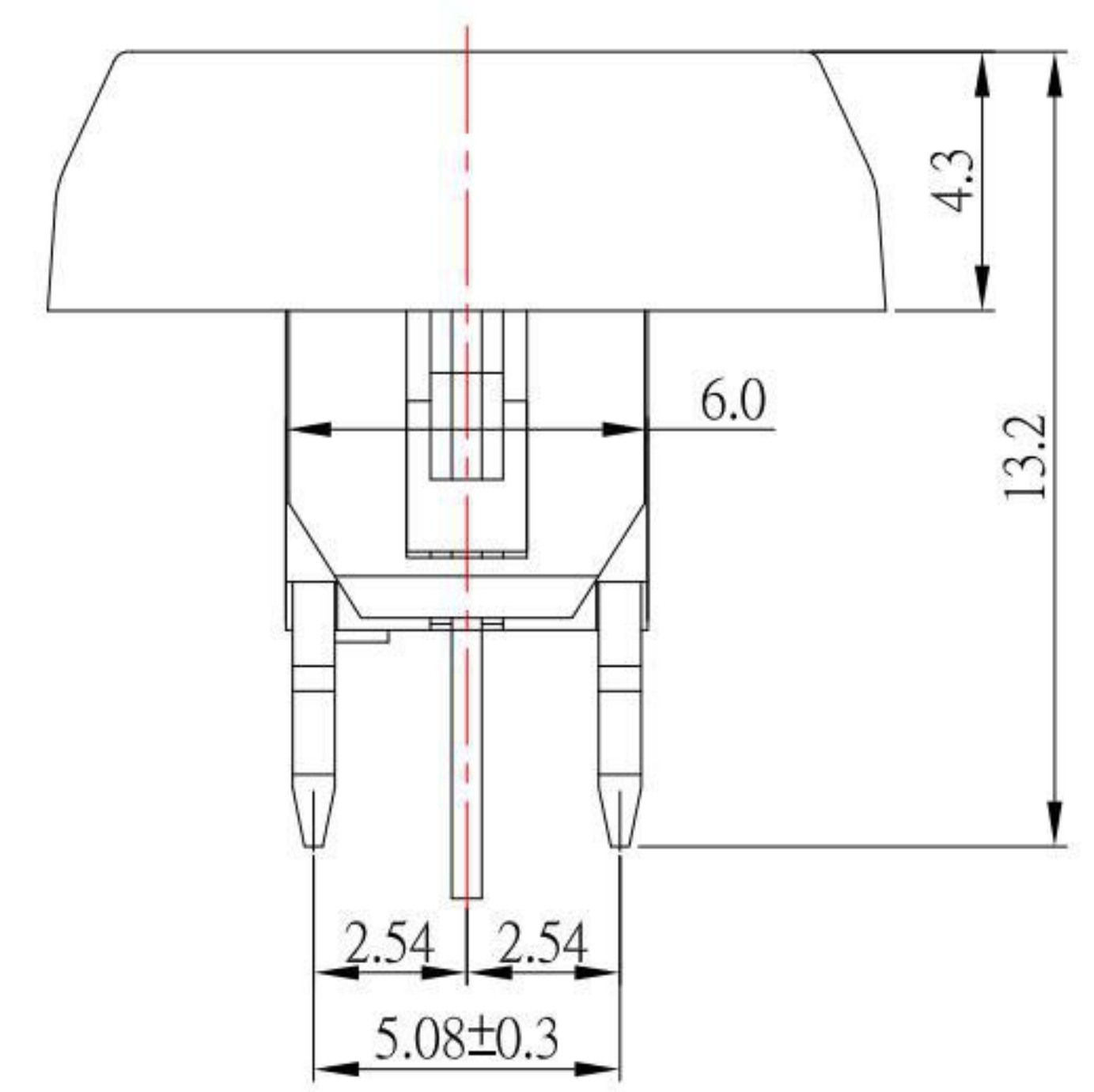
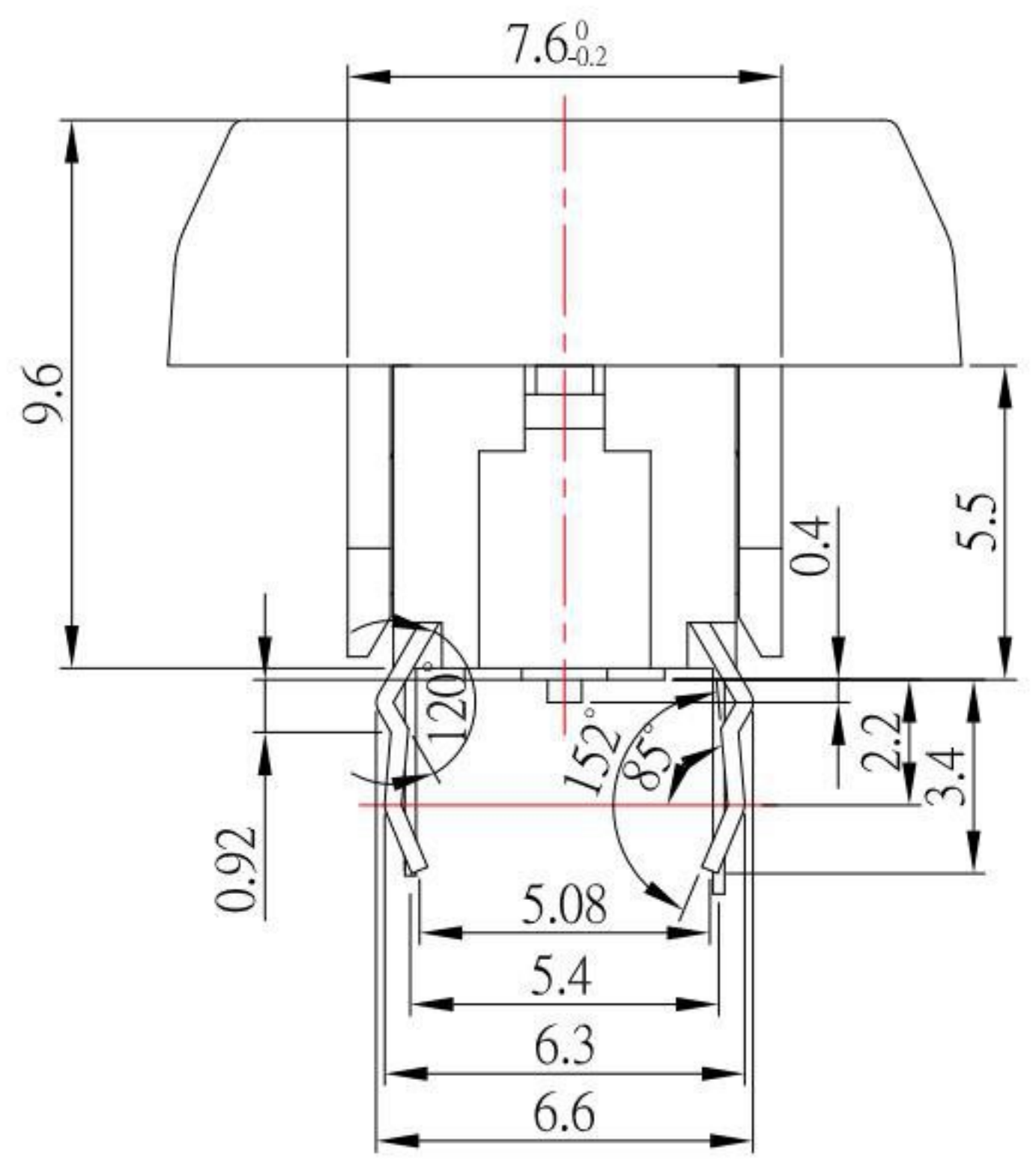


P.C.B LAYOUT



CIRCUIT DIAGRAM



NO.	DESCRIPTION	QTY	MATERIAL	PLATING
7	LED	1		Red
6	CAP SLEEVE	1	PA66	Black
5	CAP	1	ABS / PC	plated Cr
4	CONTACT	1	PHOSPHOR BRONZE	Ag plated
3	TERMINAL	4	BRASS	Ag plated
2	CASE	1	Nylon+FG	Black
1	KNOB	1	Nylon+FG	White

KSD 科斯达电子科技有限公司
 SWITCH CONNECTOR KSD ELECTRONIC TECHNOLOGY Co., LTD
 全球 互聯零組件製造企業

TOLERANCE UNLESS OTHERWISE STATED:
 Up to 5 ±0.2
 Above 5 ~ 15 ±0.3
 Above 15 ~ 30 ±0.4
 Above 30 ~ 50 ±0.5
 Angle ±0.3

3RD. ANGEL'S

UNITS MM

DRAWN BY:	DATE	MAT'L	TITLE	SWITCH
Jack Lu	04/15/19		MODLE	TACT SWITCH WITH LED 加CAP 帽蓋外殼鍍鉻黑 端子墊高負極點紅記號
CHECKED BY:	DATE	FINISH	DWG NO.	TS-H9A-1-C7-SB7-S313
Jacky Chen	04/15/19		PART NO.	TS-H9A-1-C7-SB7-S313
APPROVED BY:	DATE	SCALE		
Tony Kao	04/15/19	1:1		
		SHEET NO.		
		1 of 1		

ITEM NO.	DESCRIPTION	DRAWN	DATE