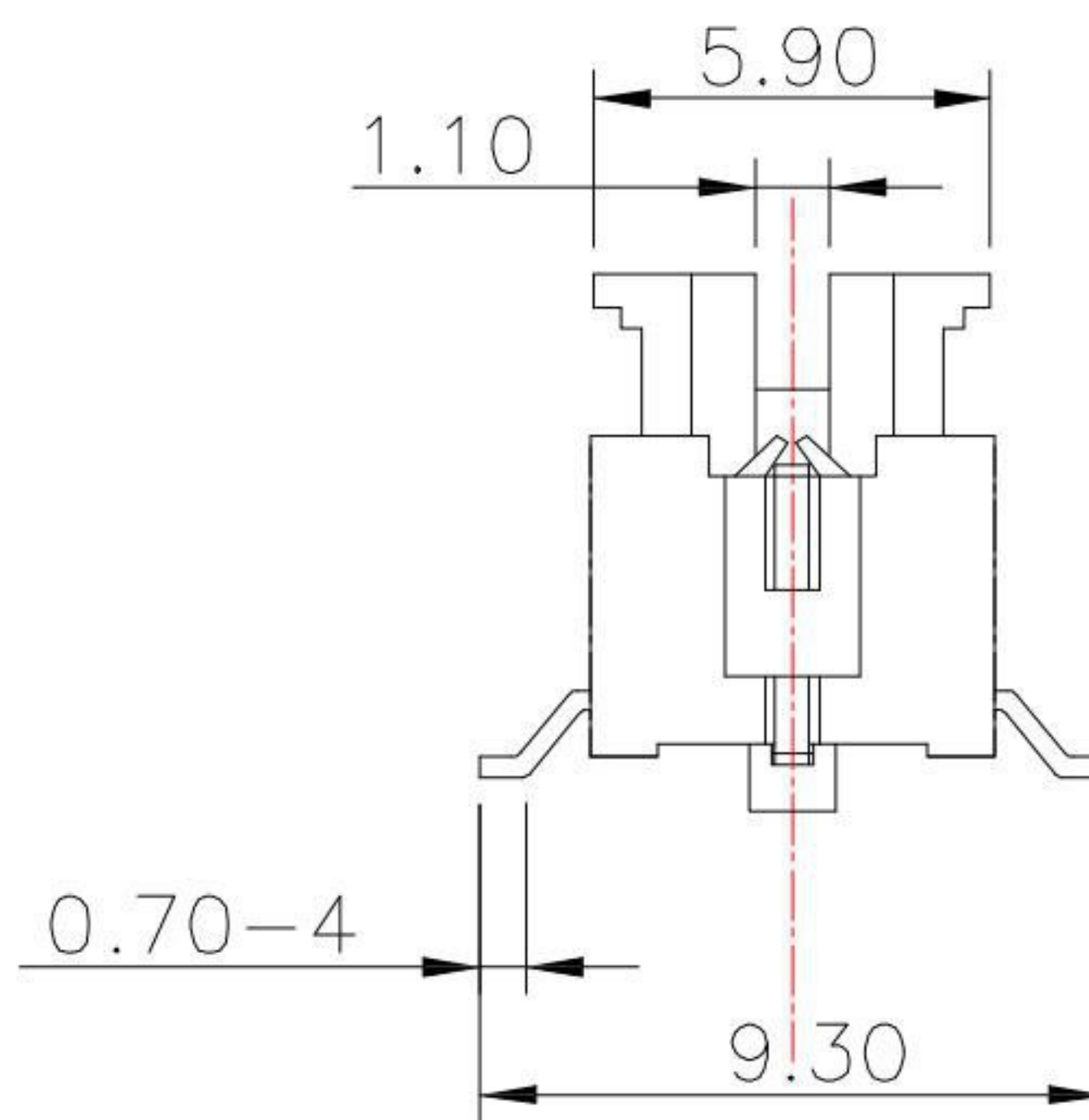
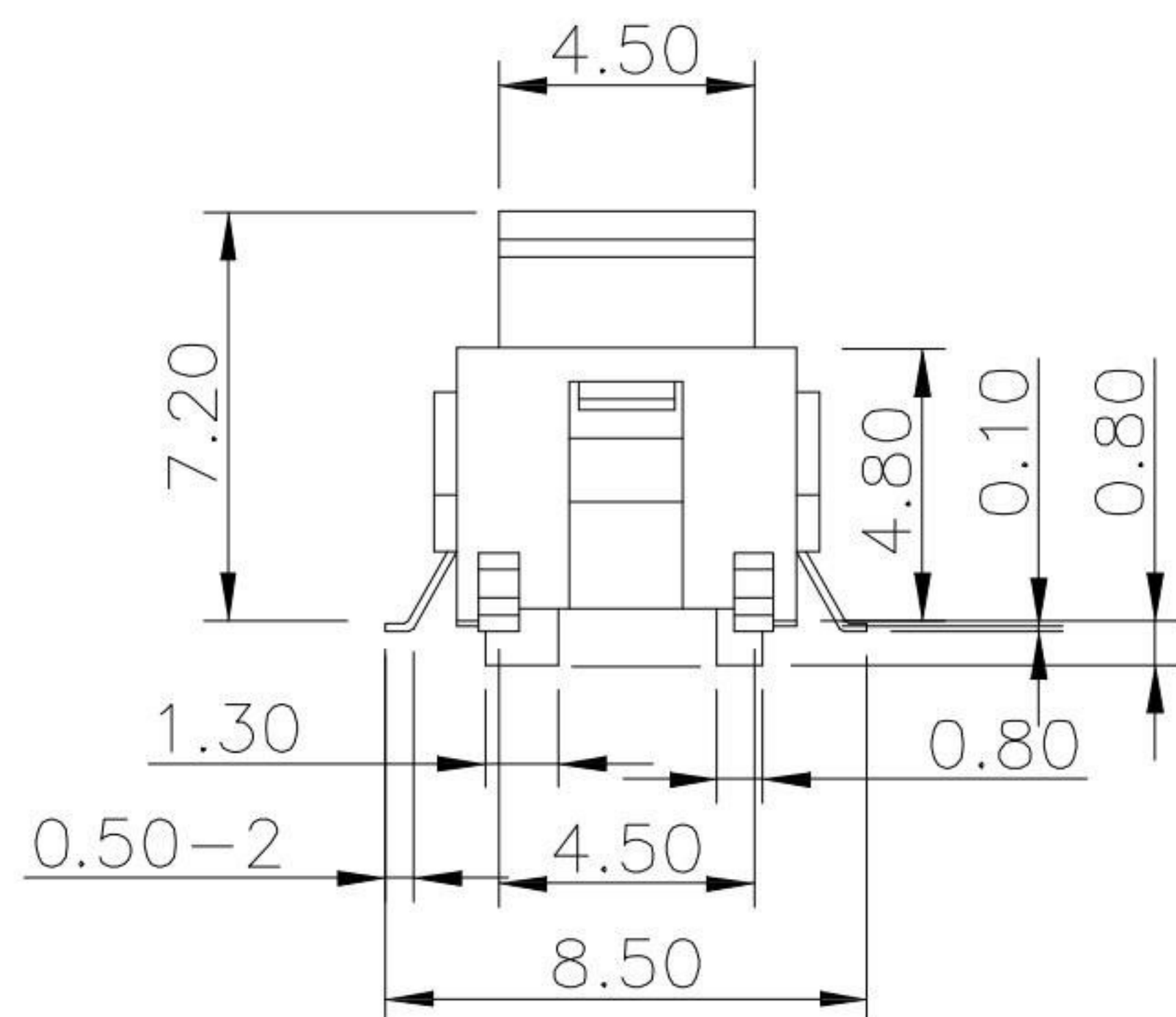


P.C.B LAYOUT



COLOR OF LED

0	Without	1	Red
2	Green	3	Orange
4	Yellow	7	Blue
8	White		

KSD 科斯达电子科技有限公司
 SWITCH CONNECTOR KSD ELECTRONIC TECHNOLOGY Co., LTD
 全球 互 联 零 组 件 制 造 企 业

TOLERANCE UNLESS OTHERWISE STATED:

Up to 5	±0.2
Above 5 ~ 15	±0.3
Above 15 ~ 30	±0.4
Above 30 ~ 50	±0.5
Angle	±0.3°

3RD. ANGEL'S UNITS MM

DRAWN BY:	DATE	MAT'L	TITLE	SWITCH
Jack Lu	04/24/15			
CHECKED BY:	DATE	FINISH	MODLE	TACT SWITCH W/I LED SMT TYPE
Jacky Chen	04/24/15			
APPROVED BY:	DATE	SCALE	DWG NO.	TS-M-x-C0-E0-S010
Tony Kao	04/24/15	1:1		
		SHEET NO.	PART NO.	TS-M-x-C0-E0-S010
		1 of 1		

ITEM NO.	DESCRIPTION	DRAWN	DATE