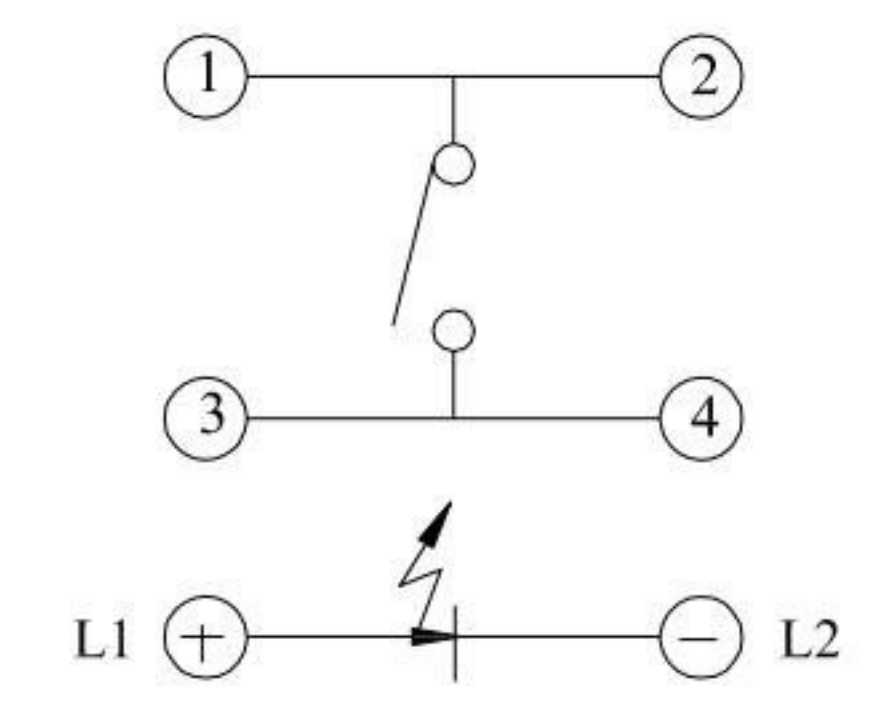
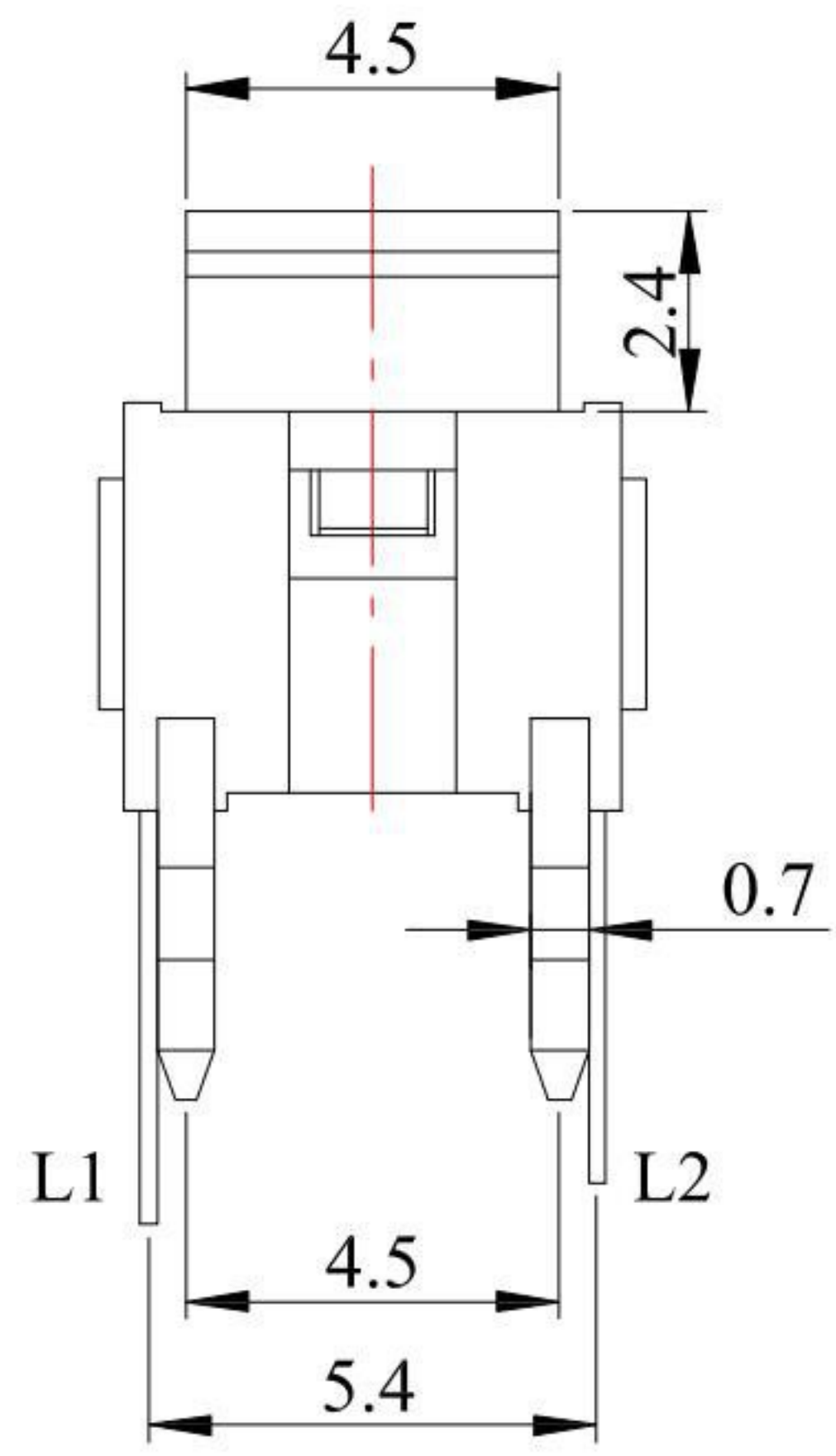
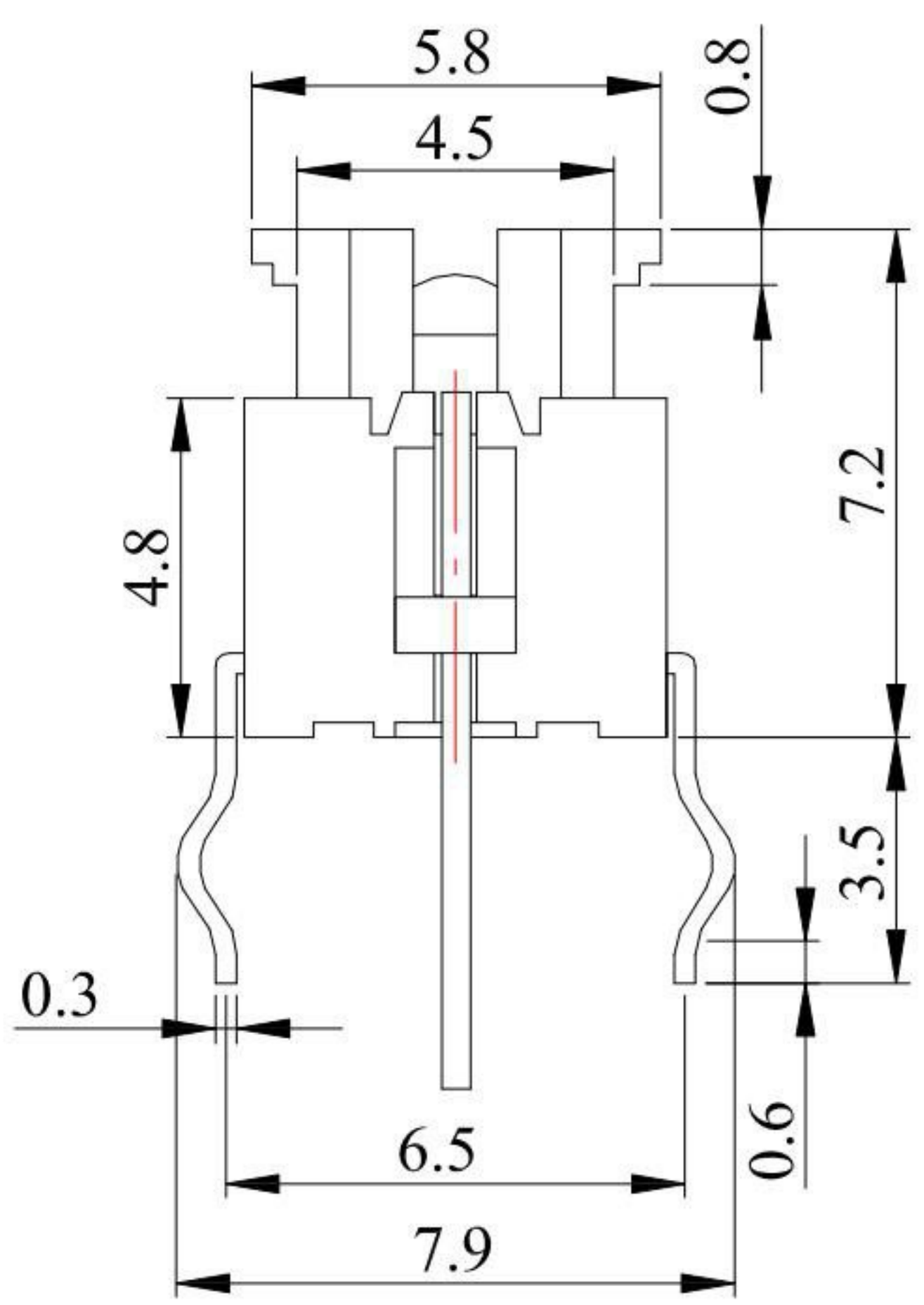


P.C.B LAYOUT



CIRCUIT DIAGRAM

COLOR OF LED

0	Without	1	Red
2	Green	3	Orange
4	Yellow	7	Blue
8	White		

NO.	DESCRIPTION	QTY	MATERIAL	PLATING
5	LED	1		
4	CONTACT	1	PHOSPHOR BRONZE	Ag plated
3	TERMINAL	4	BRASS	Ag plated
2	CASE	1	Nylon+FG	Black
1	KNOB	1	Nylon+FG	White

KSD 科斯达电子科技有限公司
 SWITCH CONNECTOR KSD ELECTRONIC TECHNOLOGY Co., LTD
 全球 互联零组件制造企业

TOLERANCE UNLESS OTHERWISE STATED:
 Up to 5 ±0.2
 Above 5 ~ 15 ±0.3
 Above 15 ~ 30 ±0.4
 Above 30 ~ 50 ±0.5
 Angle ±0.3

3RD. ANGEL'S

UNITS MM

DRAWN BY:	DATE	MAT'L	TITLE	SWITCH
Jack Lu	10/13/15		MODLE	TACT SWITCH WITH LED
CHECKED BY:	DATE	FINISH	DWG NO.	TS-xx-C0-E0-S313
Jacky Chen	10/13/15		PART NO.	TS-xx-C0-E0-S313
APPROVED BY:	DATE	SCALE	SHEET NO.	1 of 1
Tony Kao	10/13/15	1:1		

ITEM NO.	DESCRIPTION	DRAWN	DATE