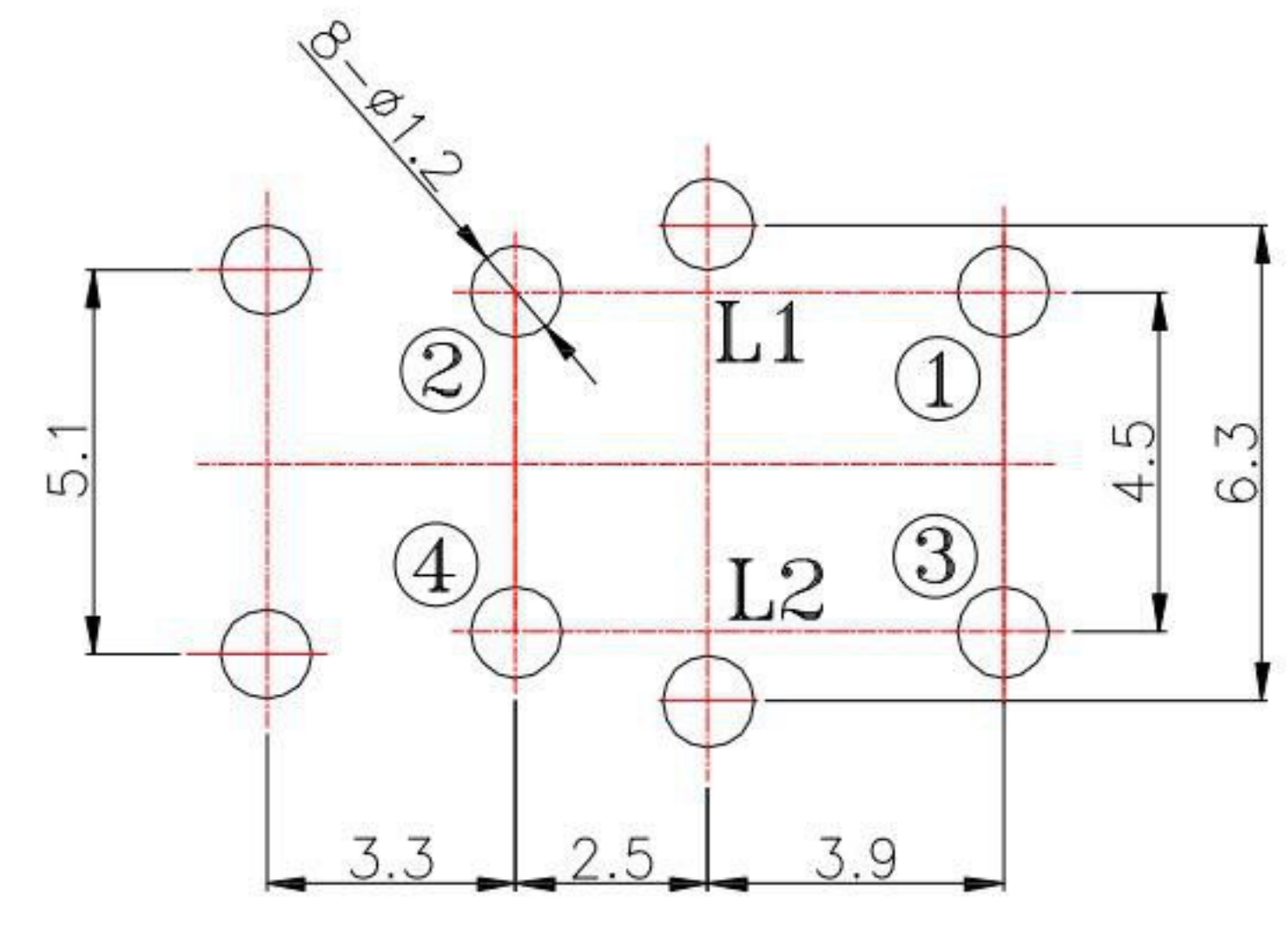
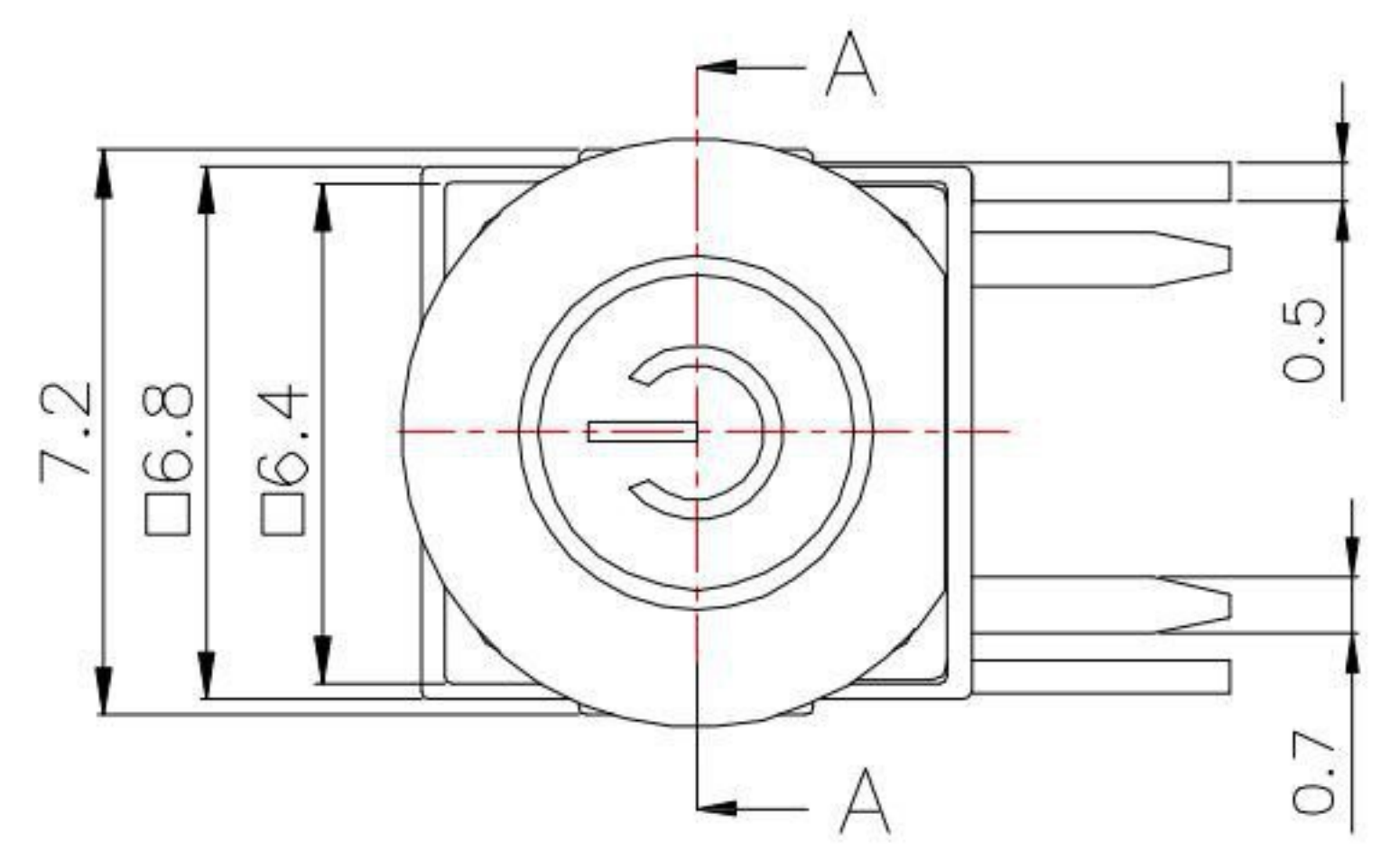




TS-xx-C0-Fx-RL3-S313



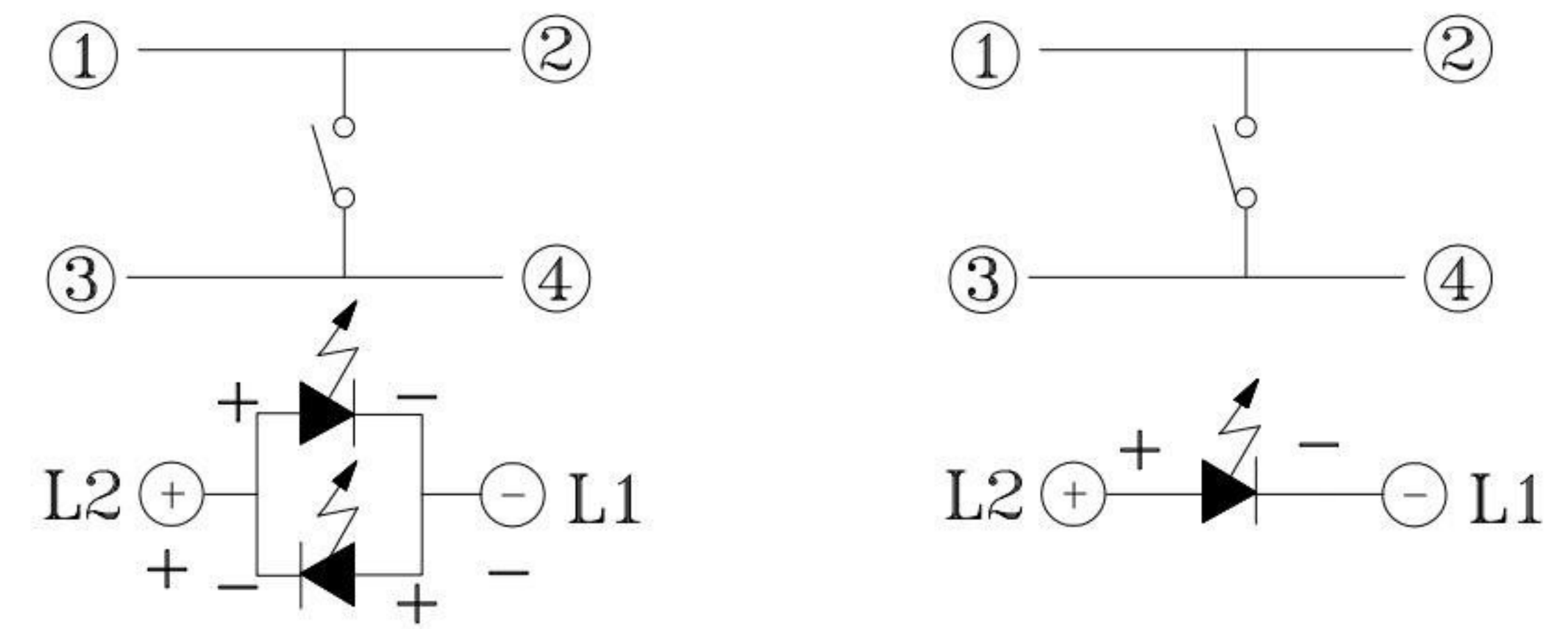
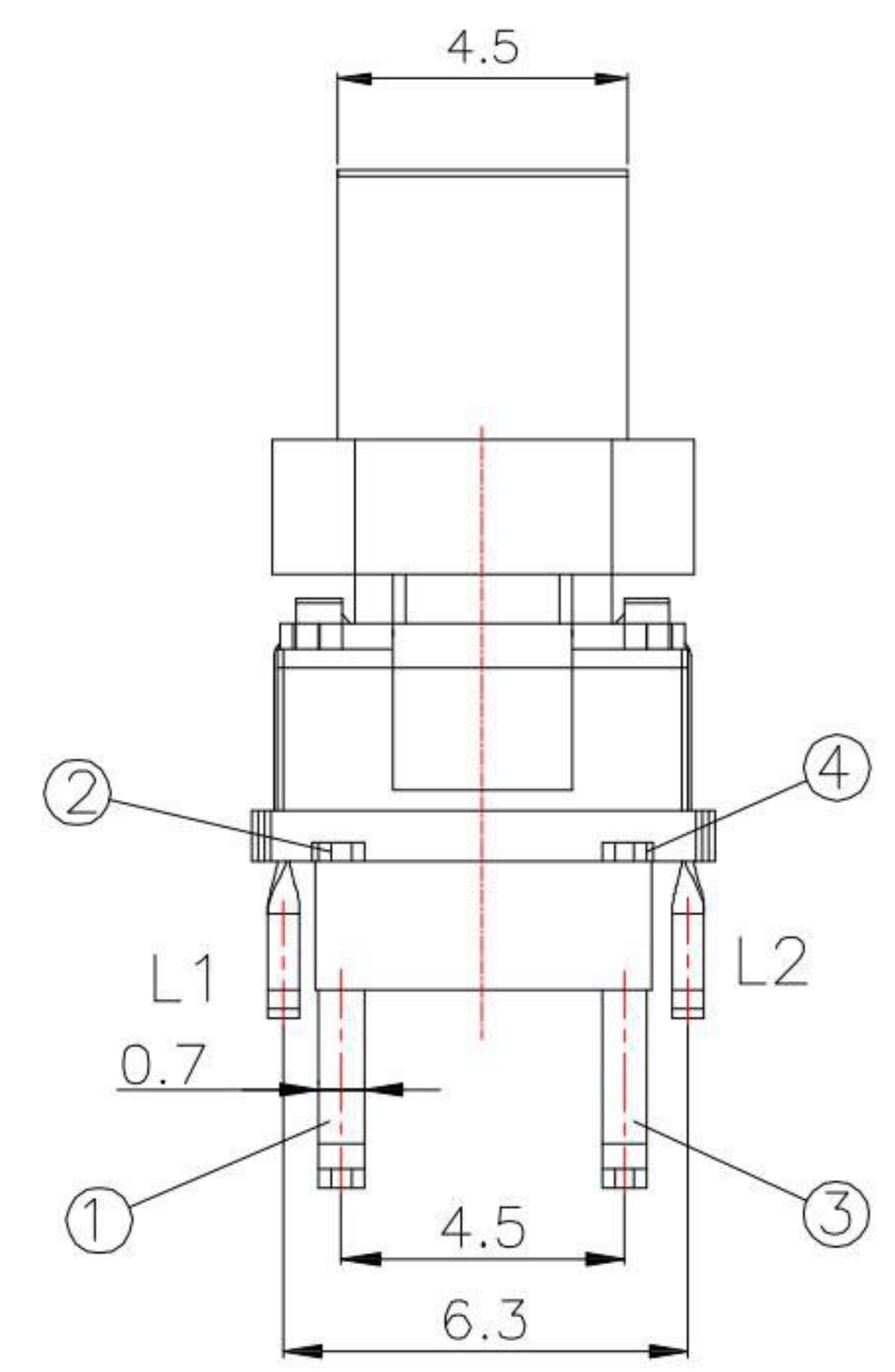
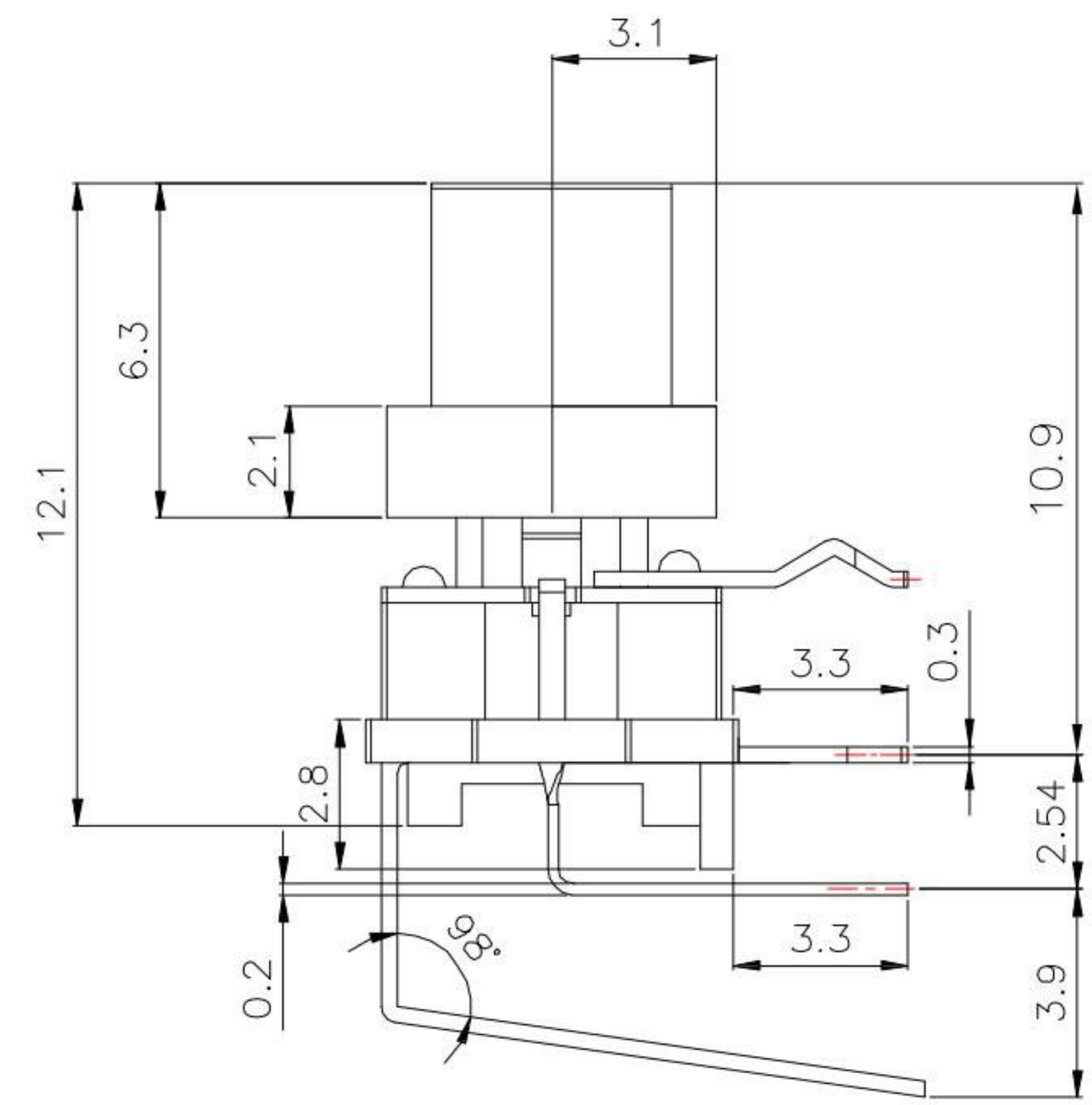
P.C.B LAYOUT

COLOR OF LED

0	Without	1	Red
2	Green	3	Orange
4	Yellow	7	Blue
8	White		

CAP Color

0	Without	1	Red
2	Green	3	Yellow
4	Ivory	5	Gray
6	Black		



CIRCUIT DIAGRAM

NO.	DESCRIPTION	QTY	MATERIAL	PLATING
6	LED	1		
5	CONTACT	1	PHOSPHOR BRONZE	Ag plated
4	TERMINAL	1	BRASS	Ag plated
3	BASE	1	PA66	Black
2	COVER	1	PET	Natural
1	KNOB	1	PA66	White

KSD 科斯达电子科技有限公司
 SWITCH CONNECTOR KSD ELECTRONIC TECHNOLOGY Co., LTD
 全球 互连零组件 制造企业

TOLERANCE UNLESS OTHERWISE STATED:

Up to 5	±0.2
Above 5 ~ 15	±0.3
Above 15 ~ 30	±0.4
Above 30 ~ 50	±0.5
Angle	±0.3

3RD. ANGEL'S UNITS MM

DRAWN BY: Jack Lu	DATE: 11/08/19	MAT'L	TITLE: SWITCH
CHECKED BY: Jacky Chen	DATE: 11/08/19	FINISH	MODLE: TACT SWITCH WITH LED
APPROVED BY: Tony Kao	DATE: 11/08/19	SCALE: 1:1	DWG NO.: TS-xx-C0-Fx-RL3-S313
		SHEET NO.: 1 of 1	PART NO.: TS-xx-C0-Fx-RL3-S313

ITEM NO.	DESCRIPTION	DRAWN	DATE
3	更新CIRCUIT	Jack	110819
2	新增尺寸	Jack	022118
1	更新CIRCUIT	Jack	061417