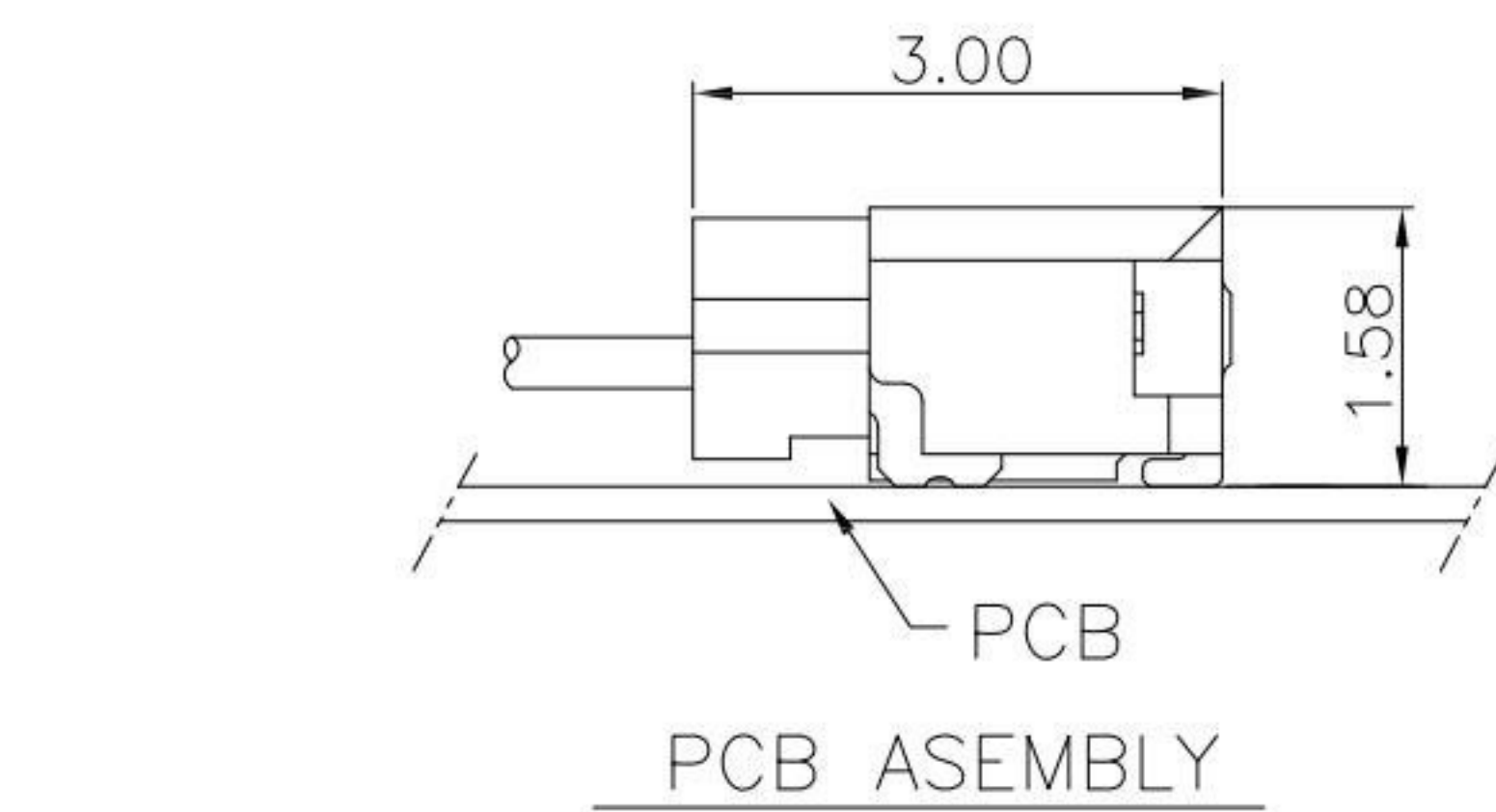
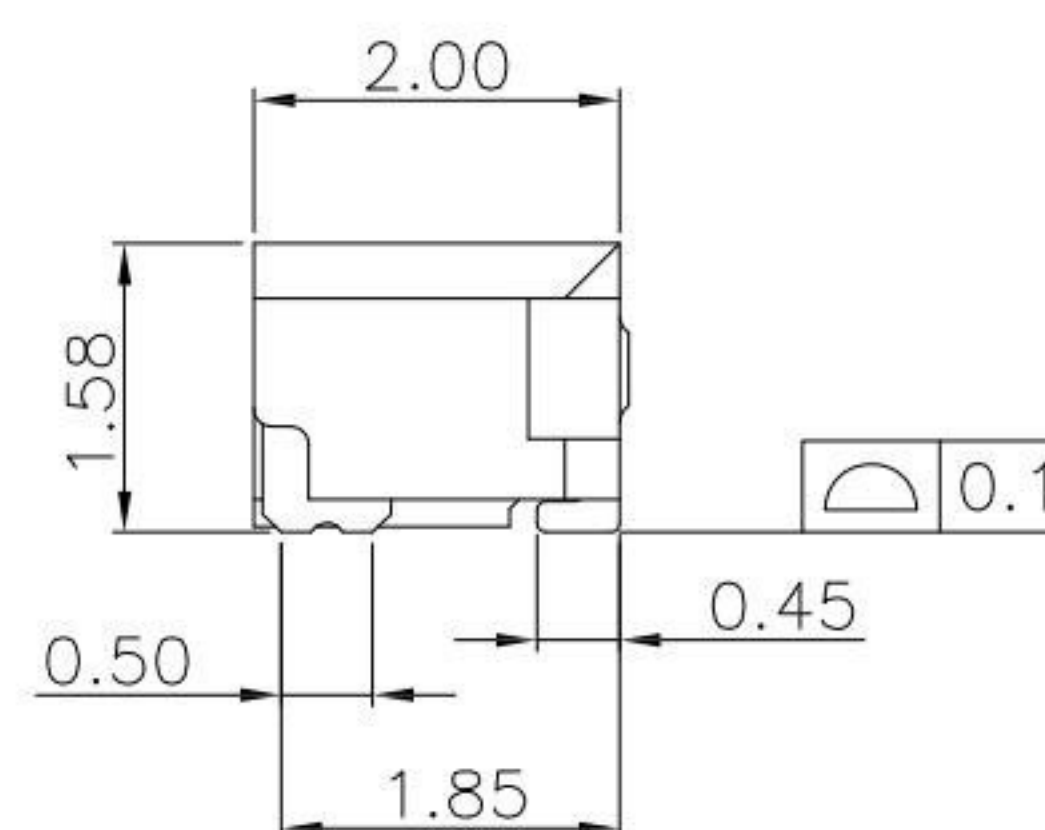


P.C.B LAYOUT MOUNTING PATTERN



PIN NO.	DIM A	DIM B	DIM C	DIM D
N	B+2.40	(N-1) 0.60	B+0.76	B+1.75
10	7.80	5.40	6.16	7.15
08	6.60	4.20	4.96	5.96
06	5.40	3.00	3.76	4.75
05	4.80	2.40	3.16	4.15
04	4.20	1.80	2.56	3.55

**SPECIFICATIONS**

- 1.Current rating : 0.3A
- 2.Voltage rating : 30V, AC / DC
- 3.Temperature rating : -25°C ~ +85°C
- 4.Insulation resistance : 100MΩ min.
- 5.Contact resistance : 30mΩ/Max
- 6.Withstand Voltage : 200V AC / minute

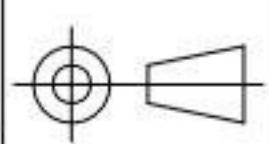
**Material:**

- 1.Housing : LCP
- 2.Terminal: Phosphor Bronze,Gold or Tin over Nickel
- 3.Solder: Phosphor Bronze,Tin over Nickel

**KSD** 科斯达电子科技有限公司  
 SWITCH CONNECTOR KSD ELECTRONIC TECHNOLOGY Co., LTD  
 全球 互联零组件制造企业

TOLERANCE UNLESS OTHERWISE STATED :  
 Up to 5 ±0.2  
 Above 5 ~ 15 ±0.3  
 Above 15 ~ 30 ±0.4  
 Above 30 ~ 50 ±0.5  
 Angle ±0.3°

3RD. ANGEL'S



UNITS MM

DRAWN BY:	DATE	MAT'L	TITLE	CONNECTOR
Jack Lu	08/25/21		MODLE	0.6mm Wafer SMT 90度
CHECKED BY:	DATE	FINISH	DWG NO.	WF-0600RSxx-S304
Jacky Chen	08/25/21		PART NO.	WF-0600RSxx-S304
APPROVED BY:	DATE	SCALE	1 : 1	
Tony Kao	08/25/21	SHEET NO.	1 of 1	

ITEM NO.	DESCRIPTION	DRAWN	DATE
2	更新PIN选项	Jack	082521
1	更新圖面	Jack	031821