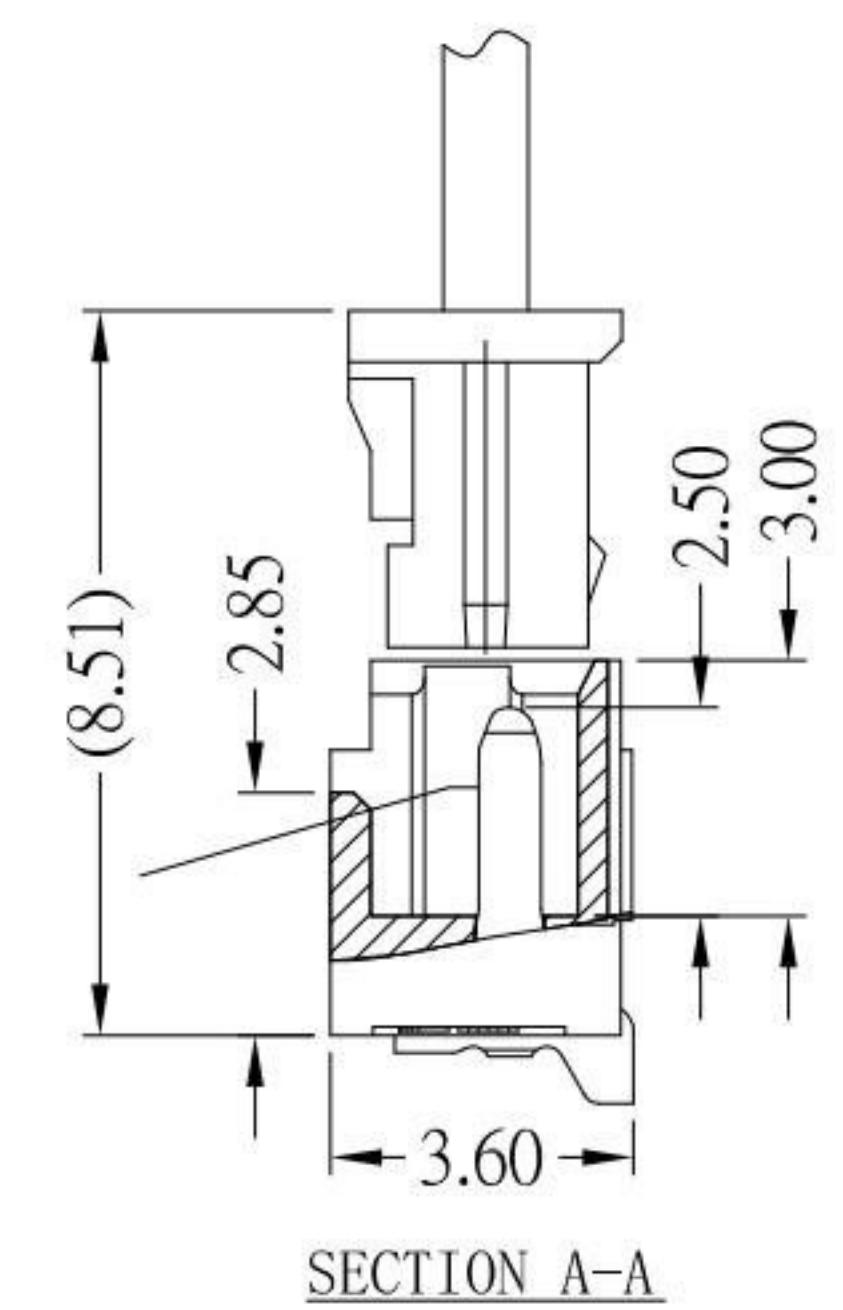
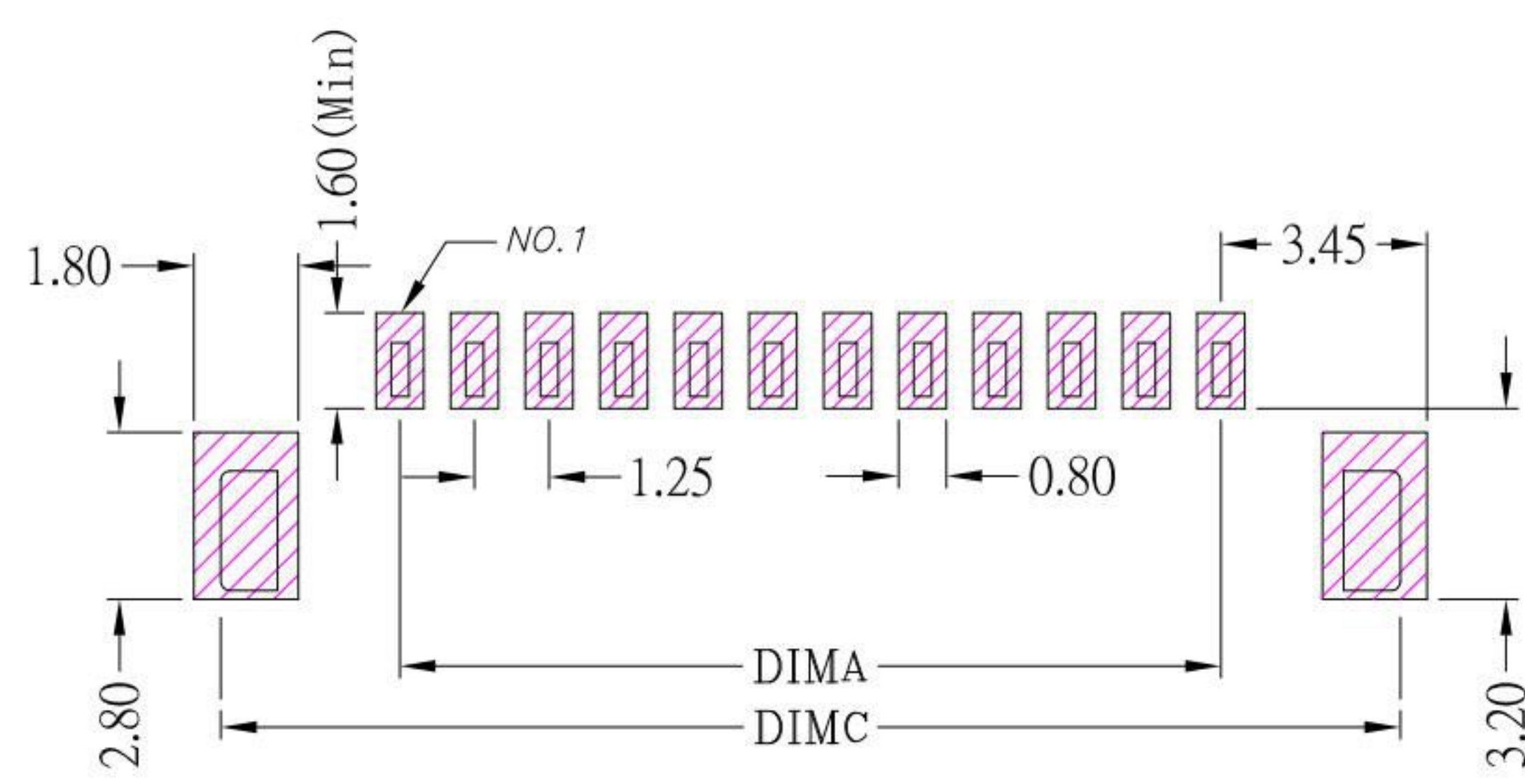
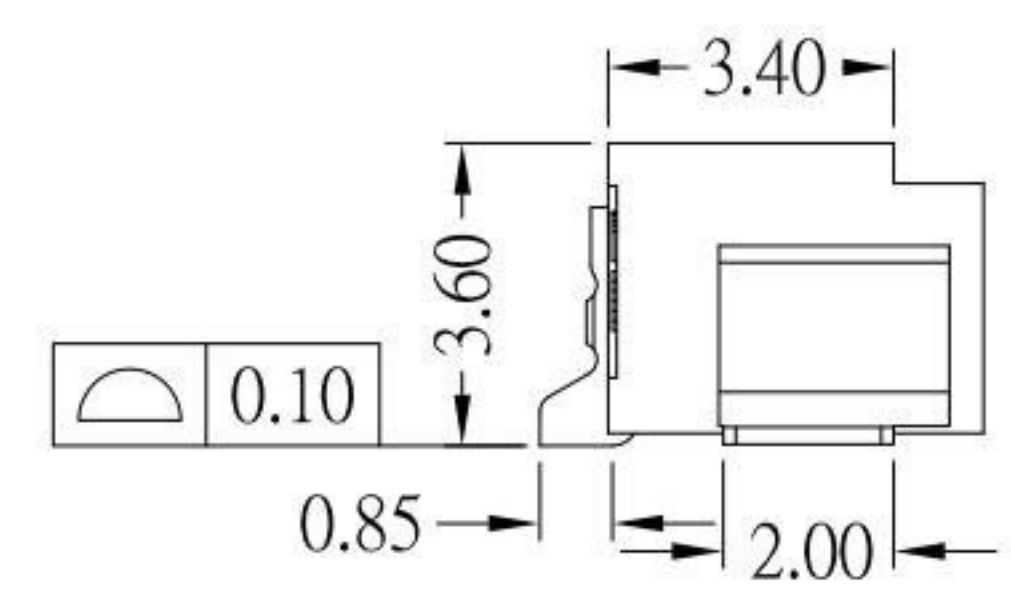
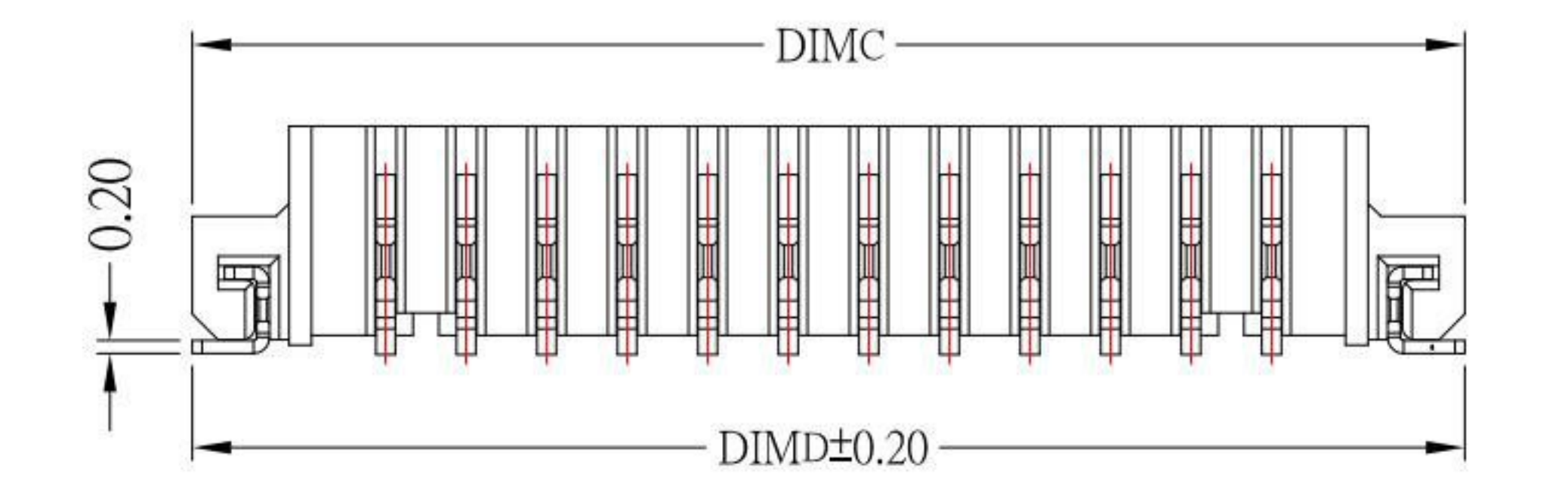


CKT	DIM A	DIM B	DIM C	DIM D
2	1.25	3.05	7.25	7.25
3	2.50	4.30	8.50	8.50
4	3.75	5.55	9.75	9.75
5	5.00	6.80	11.00	11.00
6	6.25	8.05	12.25	12.25
7	7.50	9.30	13.50	13.50
8	8.75	10.55	14.75	14.75
9	10.00	11.80	16.00	16.00
10	11.25	13.05	17.25	17.25
11	12.50	14.30	18.50	18.50
12	13.75	15.55	19.75	19.75
13	15.00	16.80	21.00	21.00
14	16.25	18.05	22.25	22.25
15	17.50	19.30	23.50	23.50
16	18.75	20.55	24.75	24.75
17	20.00	21.80	26.00	26.00
18	21.25	23.05	27.25	27.25
19	22.50	24.30	28.50	28.50
20	23.75	25.55	29.75	29.75



RECOMMENDED P.C.B LAYOUT

- 1. Material
 - 1.1: Housing: LCP , Color:Nature.
 - 1.2: Contact: Phosphor Bronze
 - 1.3: LEG: BRASS
- 2. Plating
 - 2.1: Contact: Tin over Nickel.
 - 2.2: LEG: Tin over Nickel.
- 3. Rating:
 - 3.1: CURRENT RATING: 1.0A
 - 3.2: VOLTAGE RATING: 125V AC
 - 3.3 OPERATING TEMPERATURE: -40°C ~ +85°C

ITEM NO.	DESCRIPTION	DRAWN	DATE
6	更新圖面	Jack	040919
5	新增PCB LAYOUT尺寸	Jack	032017
4	新增外型在PCB LAYOUT	Jack	031617
3	更新PCB LAYOUT	Jack	122716
2	更新圖面	Jack	060116
1	更新VOLTAGE RATING	Jack	022416

KSD 科斯达电子科技有限公司
 SWITCH CONNECTOR KSD ELECTRONIC TECHNOLOGY Co., LTD
 全球 互聯零組件製造企業

TOLERANCE UNLESS OTHERWISE STATED:
 Up to 5 ±0.2
 Above 5 ~ 15 ±0.3
 Above 15 ~ 30 ±0.4
 Above 30 ~ 50 ±0.5
 Angle ±0.3

3RD. ANGEL'S

UNITS MM

DRAWN BY:	DATE	MAT'L	TITLE	CONNECTOR
Jack Lu	04/09/19			
CHECKED BY:	DATE	FINISH	MODLE	WAFER P : 1.25mm SMT 90度
Jacky Chen	04/09/19			
APPROVED BY:	DATE	SCALE	DWG NO.	WF-1250RSxx-S304
Tony Kao	04/09/19	1 : 1		
SHEET NO.	1 of 1	PART NO.	WF-1250RSxx-S304	
				SIZE A4
				VER R6