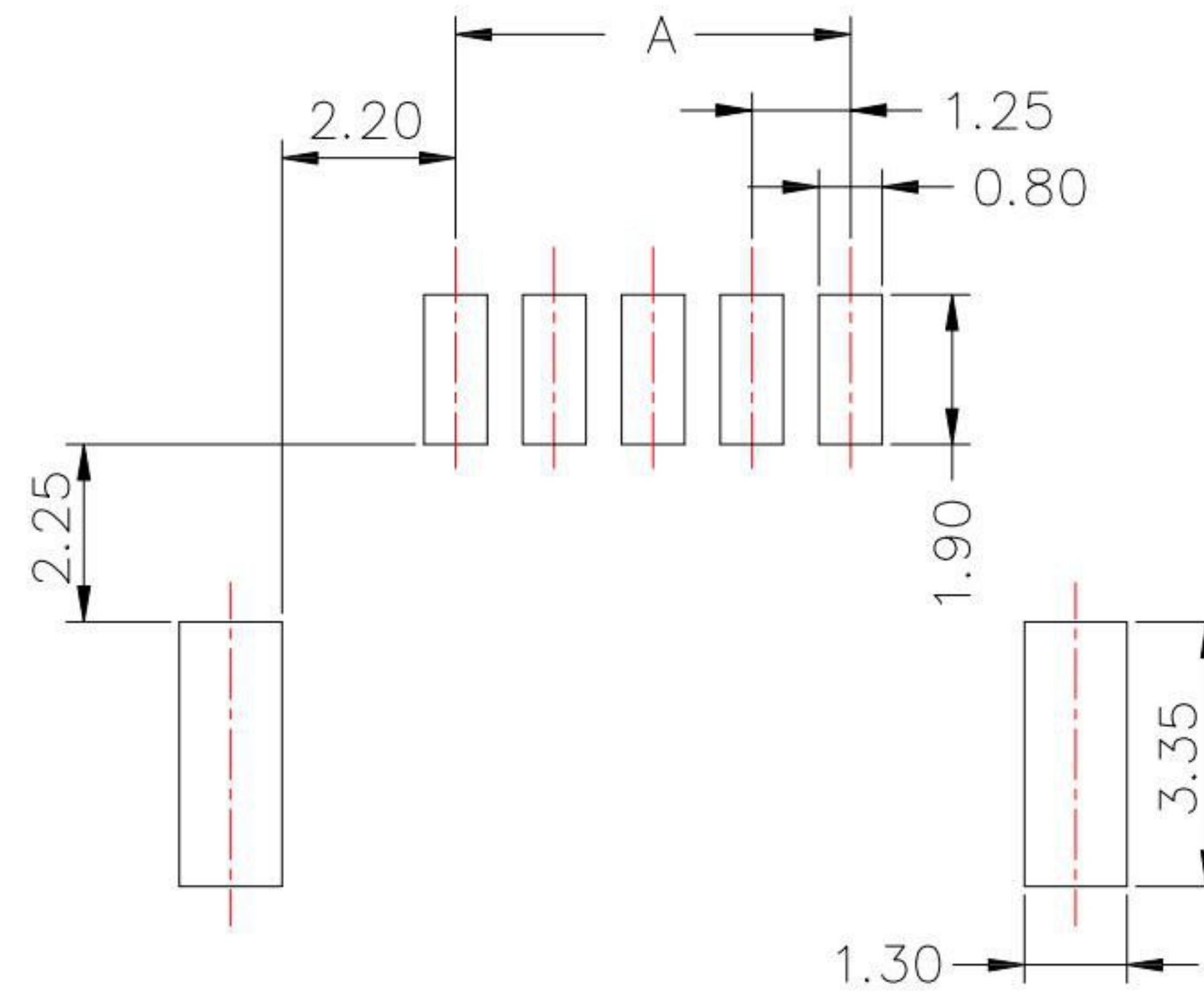




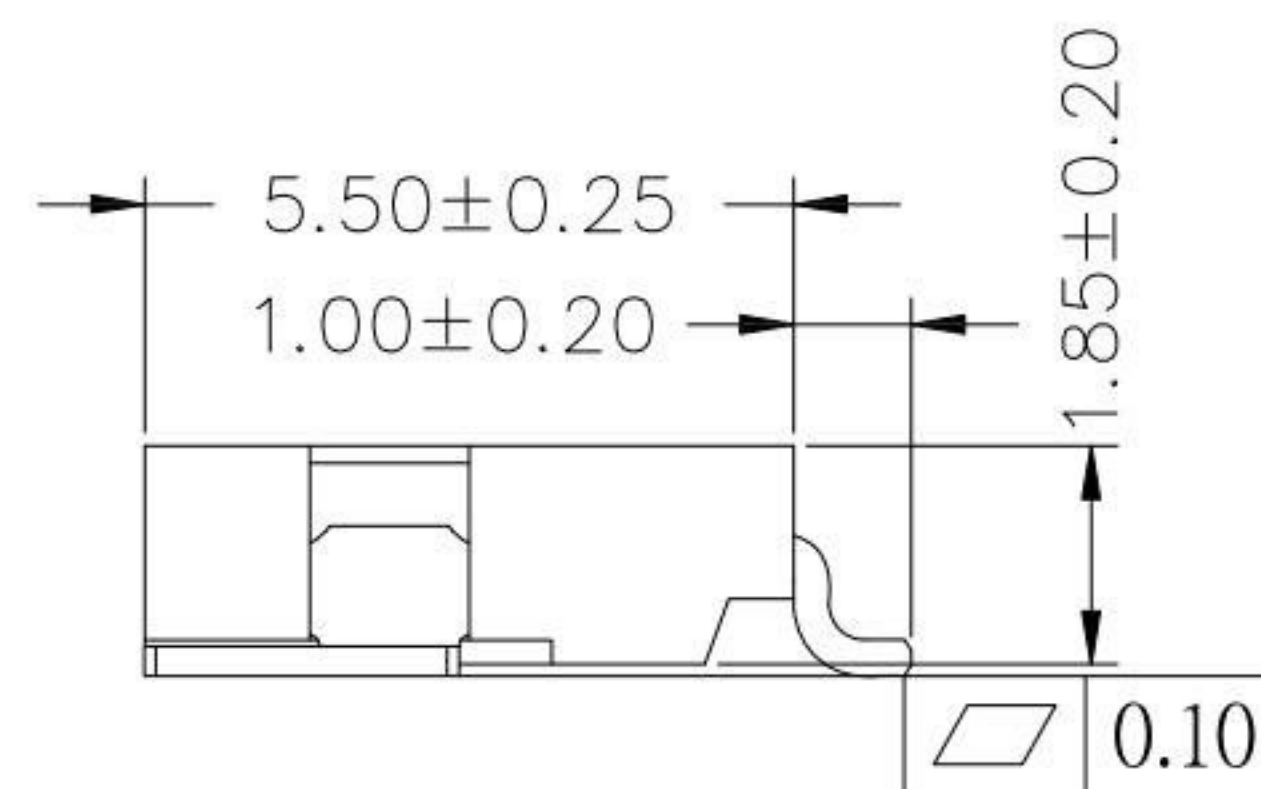
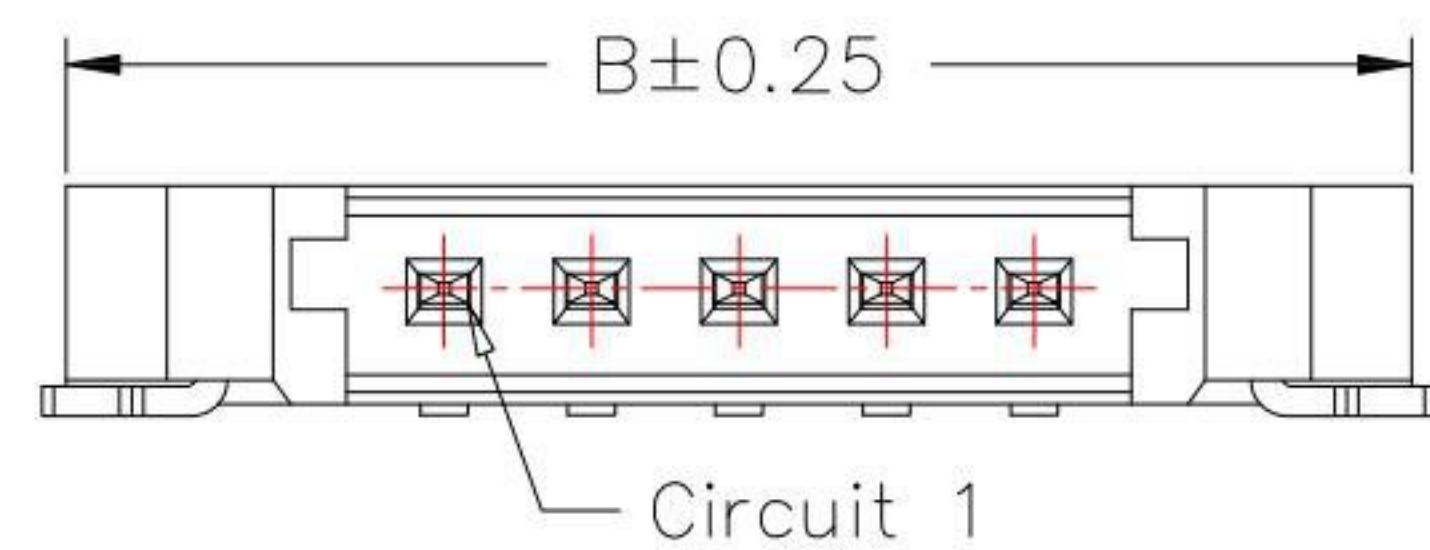
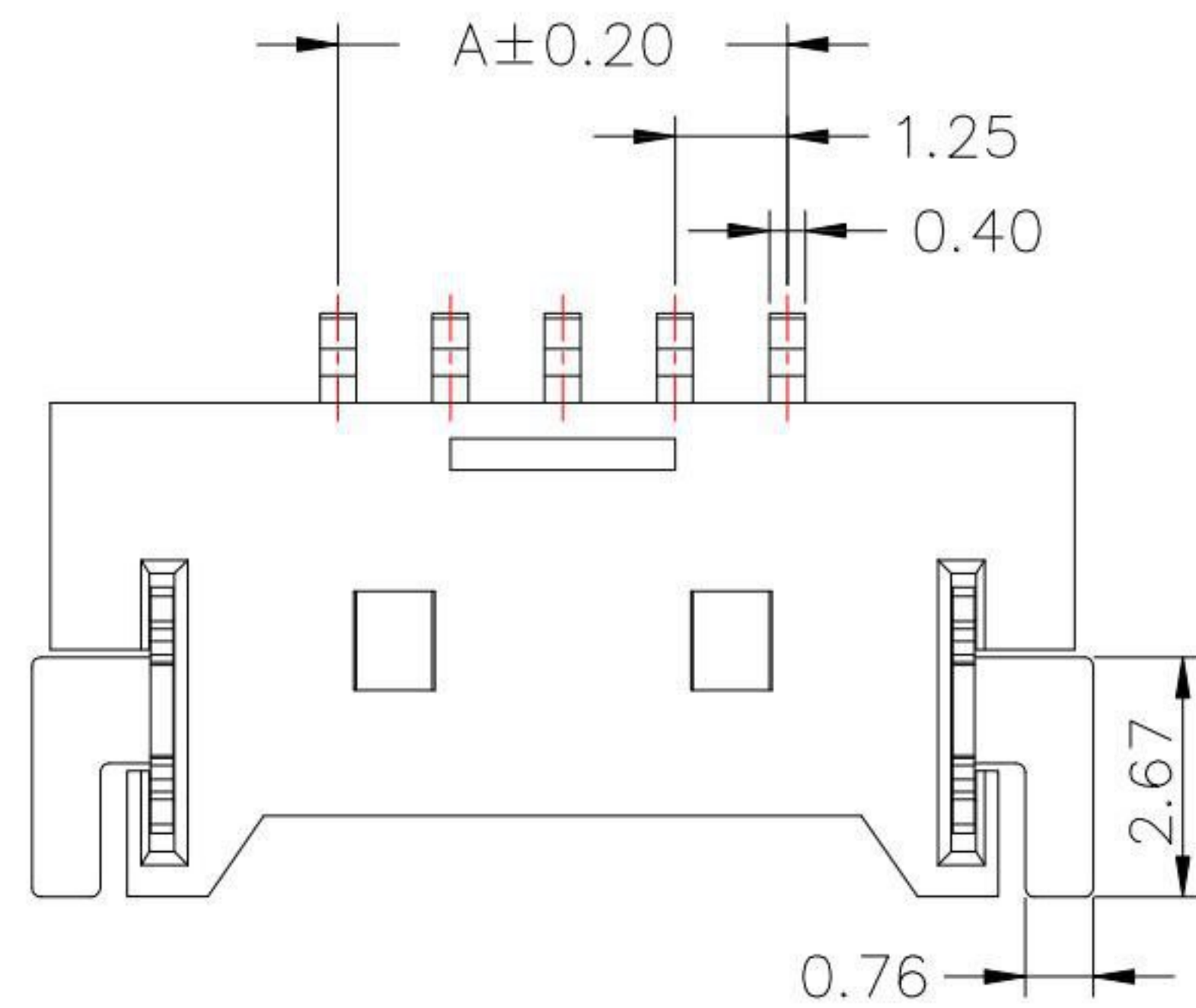
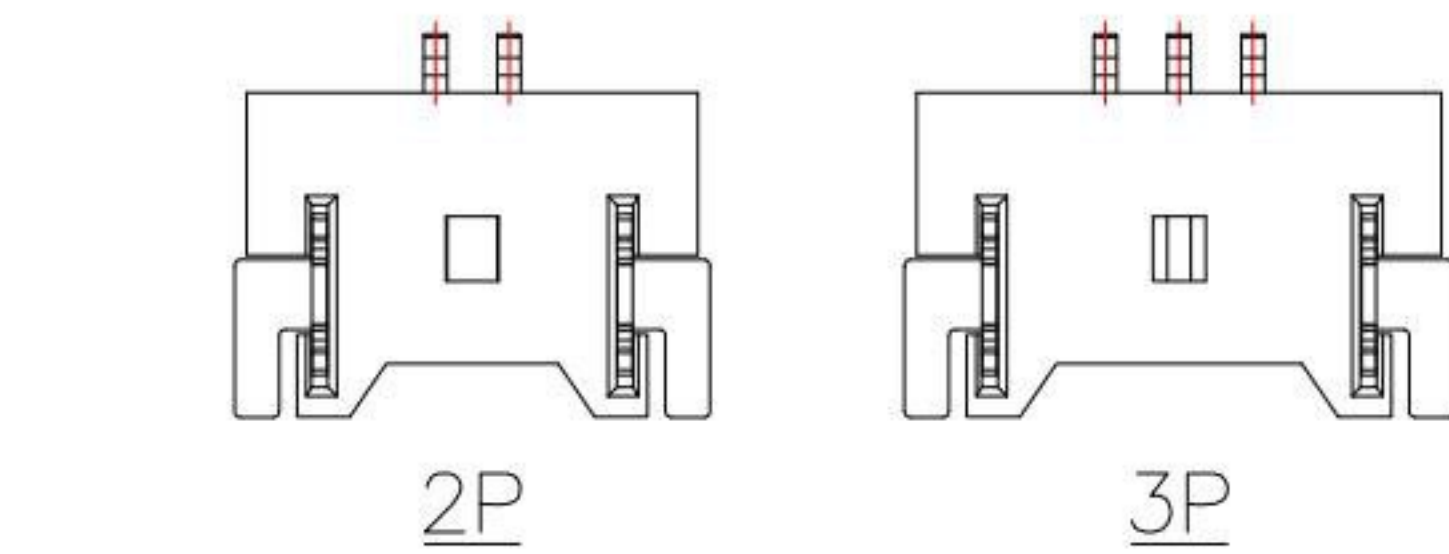
SPECIFICATIONS

Current rating : 1.0A AC , DC
 Voltage rating : 125V AC , DC
 Temperature rating : -25°C ~ +85°C
 Insulation resistance : 100MΩ min.
 Withstand voltage : 500V AC/minute
 Contact resistance : 20mΩ /Max
 Material:
 Housing : PA6T
 Contact : Brass,Gold plated

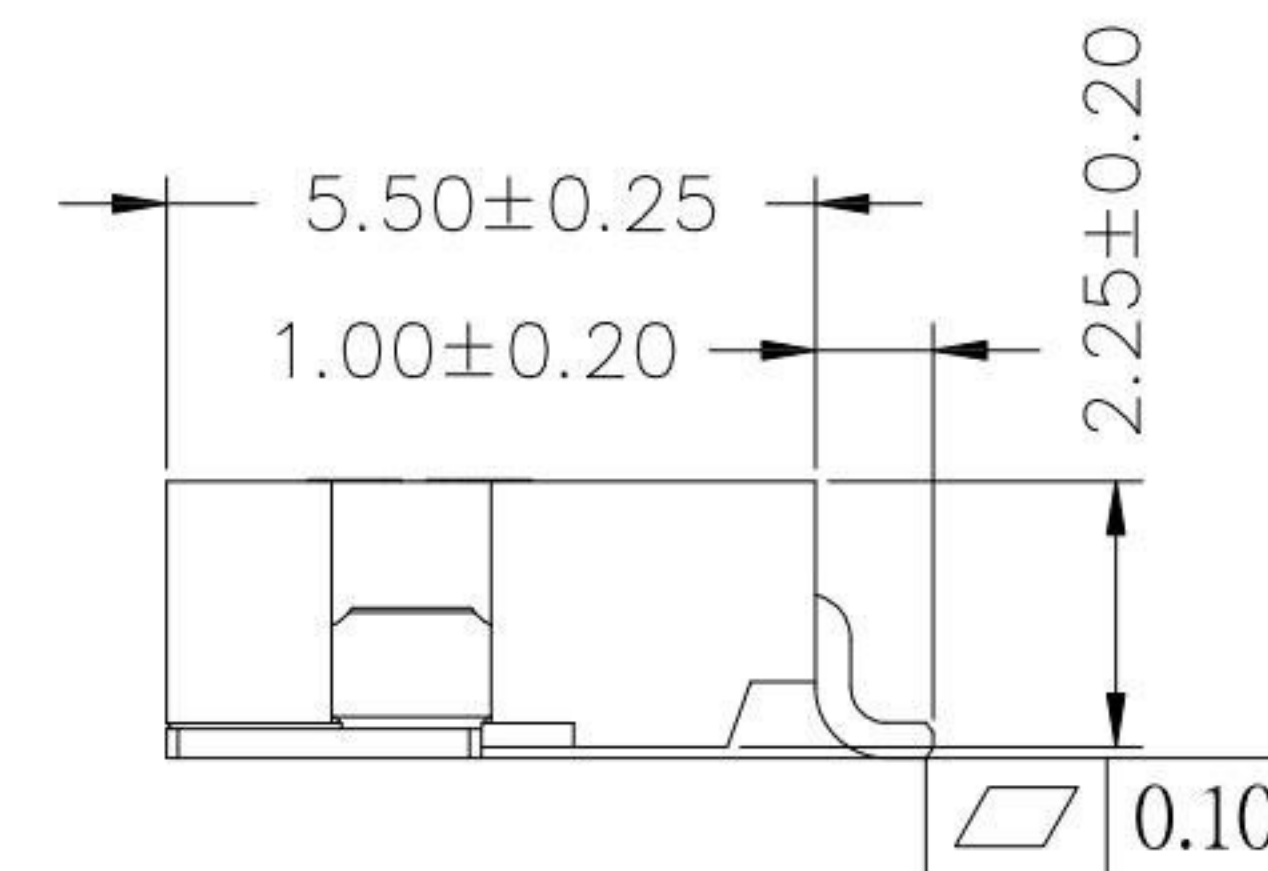
PIN NO.	Dimension mm	
	A	B
02	1.25	7.65
03	2.54	8.90
04	3.75	10.15
05	5.00	11.30
06	6.25	12.65
07	7.50	13.90
08	8.75	15.15
09	10.00	16.40
10	11.25	17.65
11	12.50	18.90
12	13.75	20.15
13	15.00	21.40
14	16.25	22.65
15	17.50	23.90
20	23.75	30.15
30	36.25	42.65



P.C.B LAYOUT MOUNTING PATTERN



02~20P

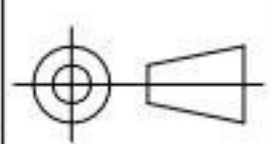


30P

KSD 科斯达电子科技有限公司
 SWITCH CONNECTOR KSD ELECTRONIC TECHNOLOGY Co., LTD
 全球 互联零组件制造企业

TOLERANCE UNLESS OTHERWISE STATED:
 Up to 5 ±0.2
 Above 5 ~ 15 ±0.3
 Above 15 ~ 30 ±0.4
 Above 30 ~ 50 ±0.5
 Angle ±0.3

3RD. ANGEL'S



UNITS MM

DRAWN BY:	DATE	MAT'L	TITLE	CONNECTOR
Jack Lu	07/12/18		MODLE	WAFER 1.25 SMT 90度 超薄
CHECKED BY:	DATE	FINISH	DWG NO.	WF-1253RSxx-S304
Jacky Chen	07/12/18		SCALE	1 : 1
APPROVED BY:	DATE	SHEET NO.	PART NO.	WF-1253RSxx-S304
Tony Kao	07/12/18	1 of 1		

SIZE A4
 VER R1

ITEM NO.	DESCRIPTION	DRAWN	DATE