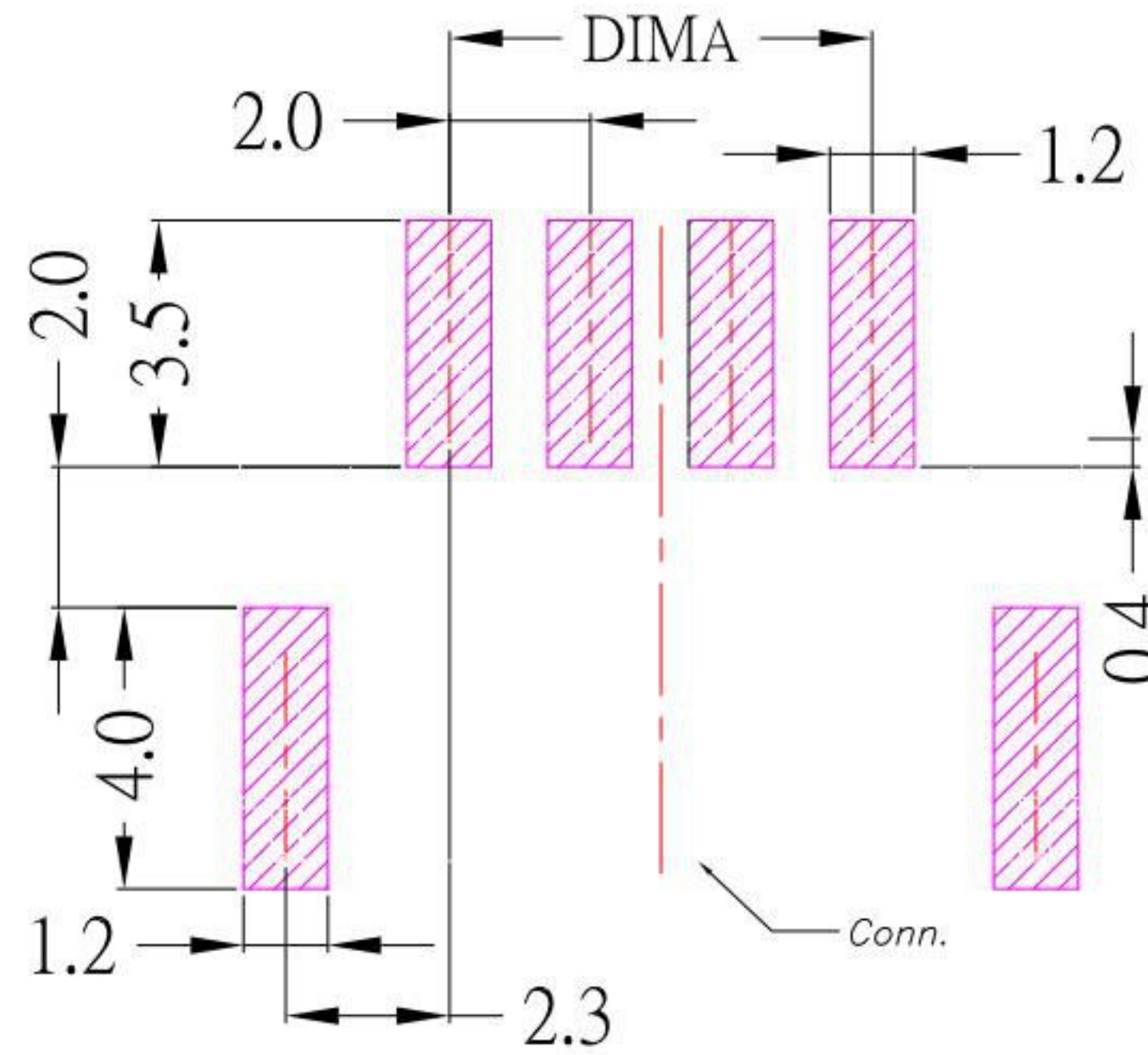
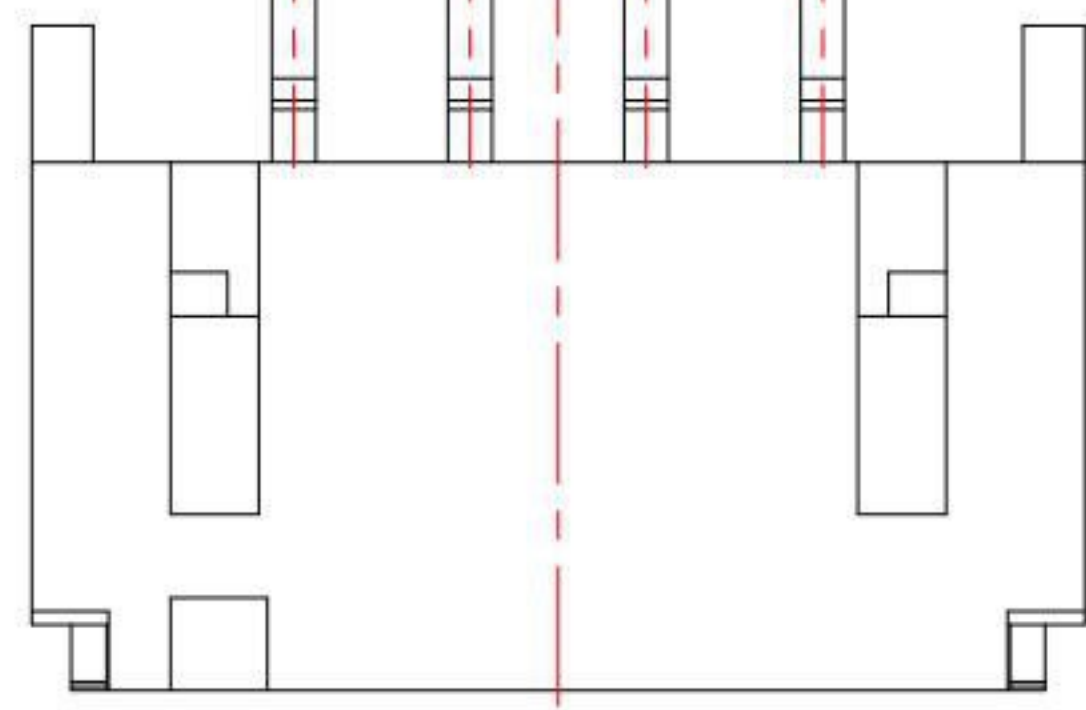
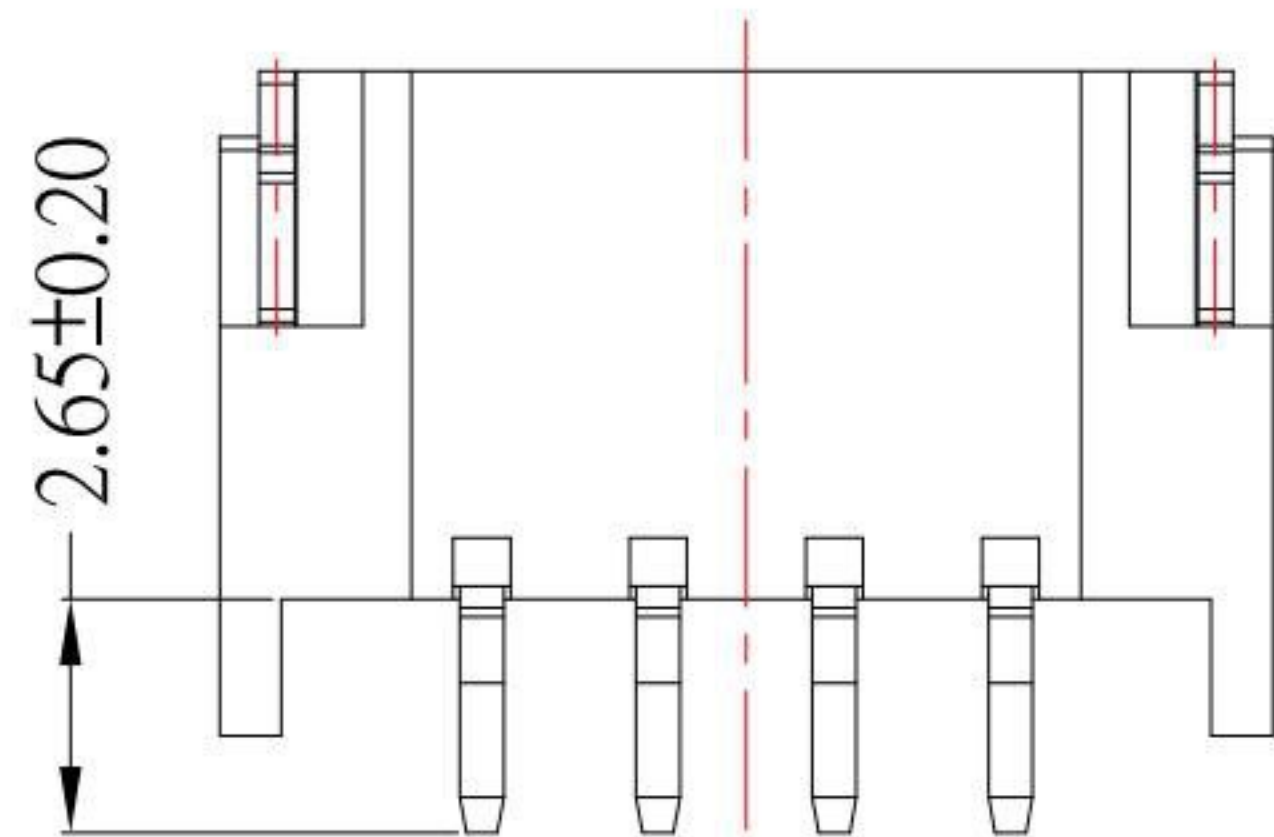
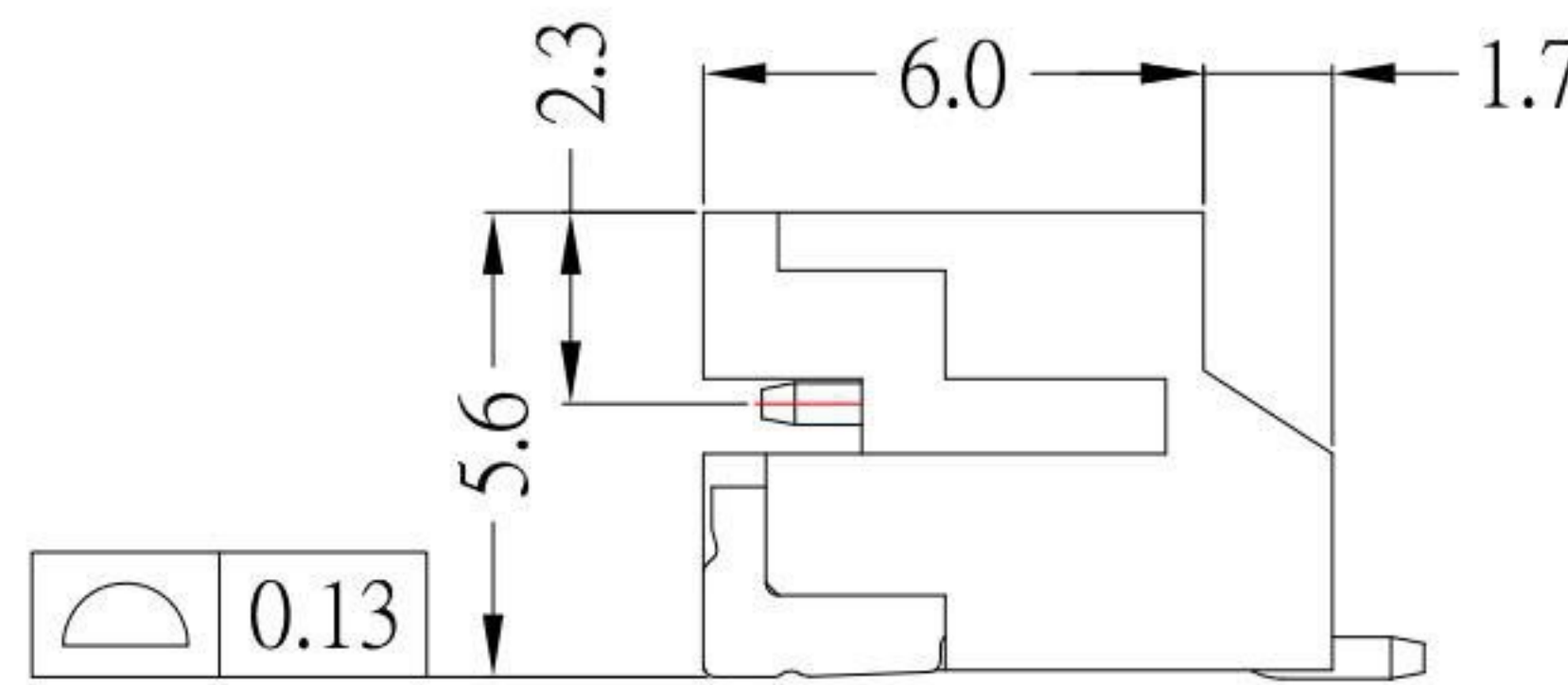
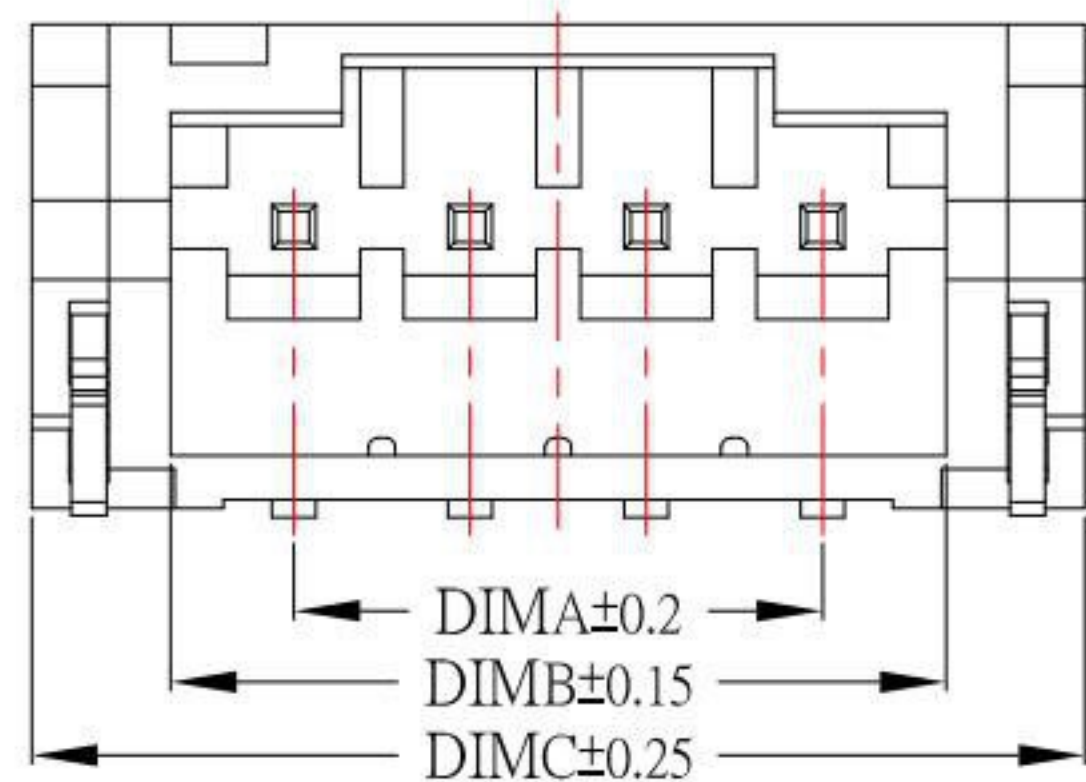




N-0.5(SQ) 2.00(PITCH)



P.C.B Hole Layout



CKT	DIM A	DIM B	DIM C
2	2.00	4.80	7.95
3	4.00	6.80	9.95
4	6.00	8.80	11.95
5	8.00	10.80	13.95
6	10.00	12.80	15.95
7	12.00	14.80	17.95
8	14.00	16.80	19.95
9	16.00	18.80	21.95
10	18.00	20.80	23.95
11	20.00	22.80	25.95
12	22.00	24.80	27.95
13	24.00	26.80	29.95
14	26.00	28.80	31.95
15	28.00	30.80	33.95
16	30.00	32.80	35.95
17	32.00	34.80	37.95
18	34.00	36.80	39.95
19	36.00	38.80	41.95
20	38.00	40.80	43.95

Specifications

- 1.Current Rating : 1.5A AC,DC
- 2.Voltage rating : 200V AC,DC
- 3.Temperature range : -40°C~+85°C
- 4.Contact resistance : 55mΩ Max
- 5.Insulation resistance : 1000MΩ Min
- 6.Withstanding voltage : 500 V AC/minute

Material:

- 1.Housing : LCP
- 2.Contact : Brass,Tin over Nickel
- 3.Solder Tab : Brass,Tin over Nickel

KSD 科斯达电子科技有限公司
 SWITCH CONNECTOR KSD ELECTRONIC TECHNOLOGY Co., LTD
 全球 互联零组件制造企业

TOLERANCE UNLESS OTHERWISE STATED:
 Up to 5 ±0.2
 Above 5 ~ 15 ±0.3
 Above 15 ~ 30 ±0.4
 Above 30 ~ 50 ±0.5
 Angle ±0.3°

3RD. ANGEL'S
 UNITS MM

DRAWN BY:	DATE	MAT'L	TITLE	CONNECTOR
Jack Lu	01/10/22			
CHECKED BY:	DATE	FINISH	MODLE	WAFER 2.0 SMT 90度
Jacky Chen	01/10/22			
APPROVED BY:	DATE	SCALE	DWG NO.	WF-2001RSxx-S304
Tony Kao	01/10/22	1 : 1		
		SHEET NO.	PART NO.	WF-2001RSxx-S304
		1 of 1		

ITEM NO.	DESCRIPTION	DRAWN	DATE
3	更新圖面	Jack	011022
2	更新SPEC	Jack	042519
1	更新樣式	Jack	040919