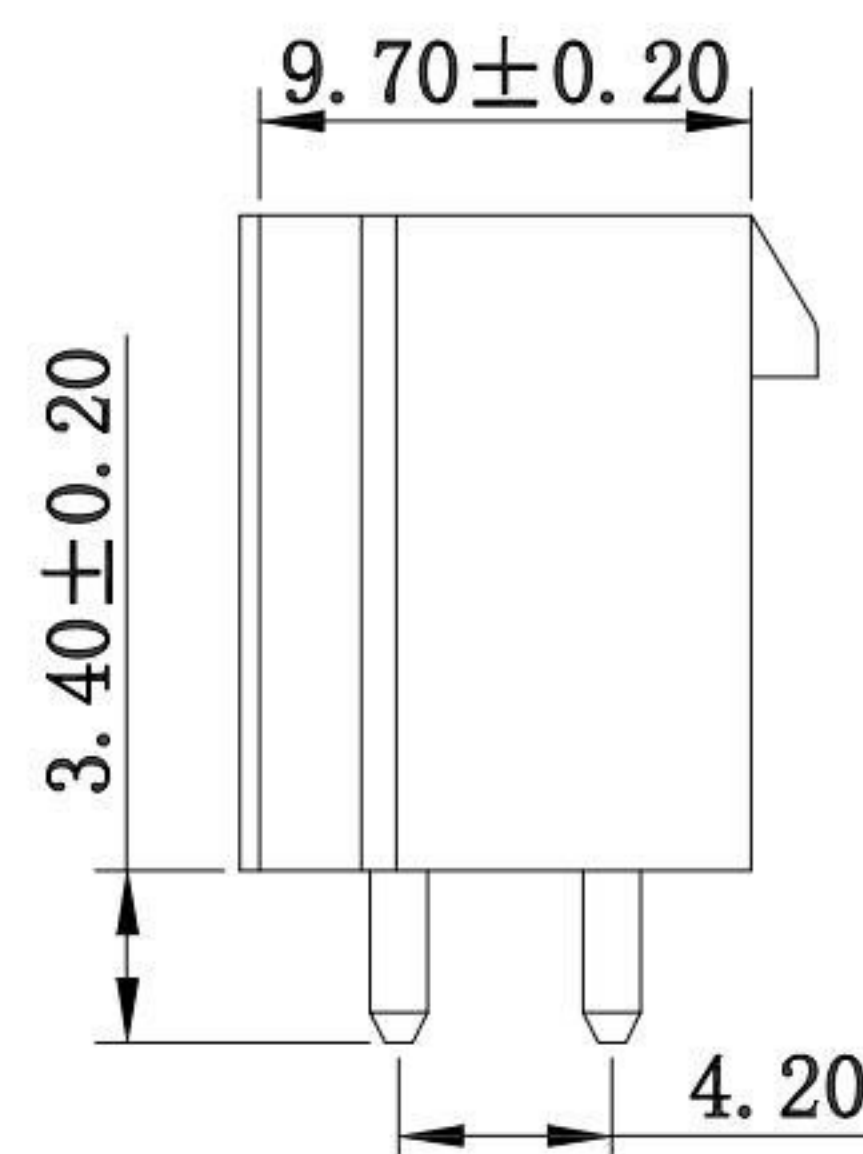
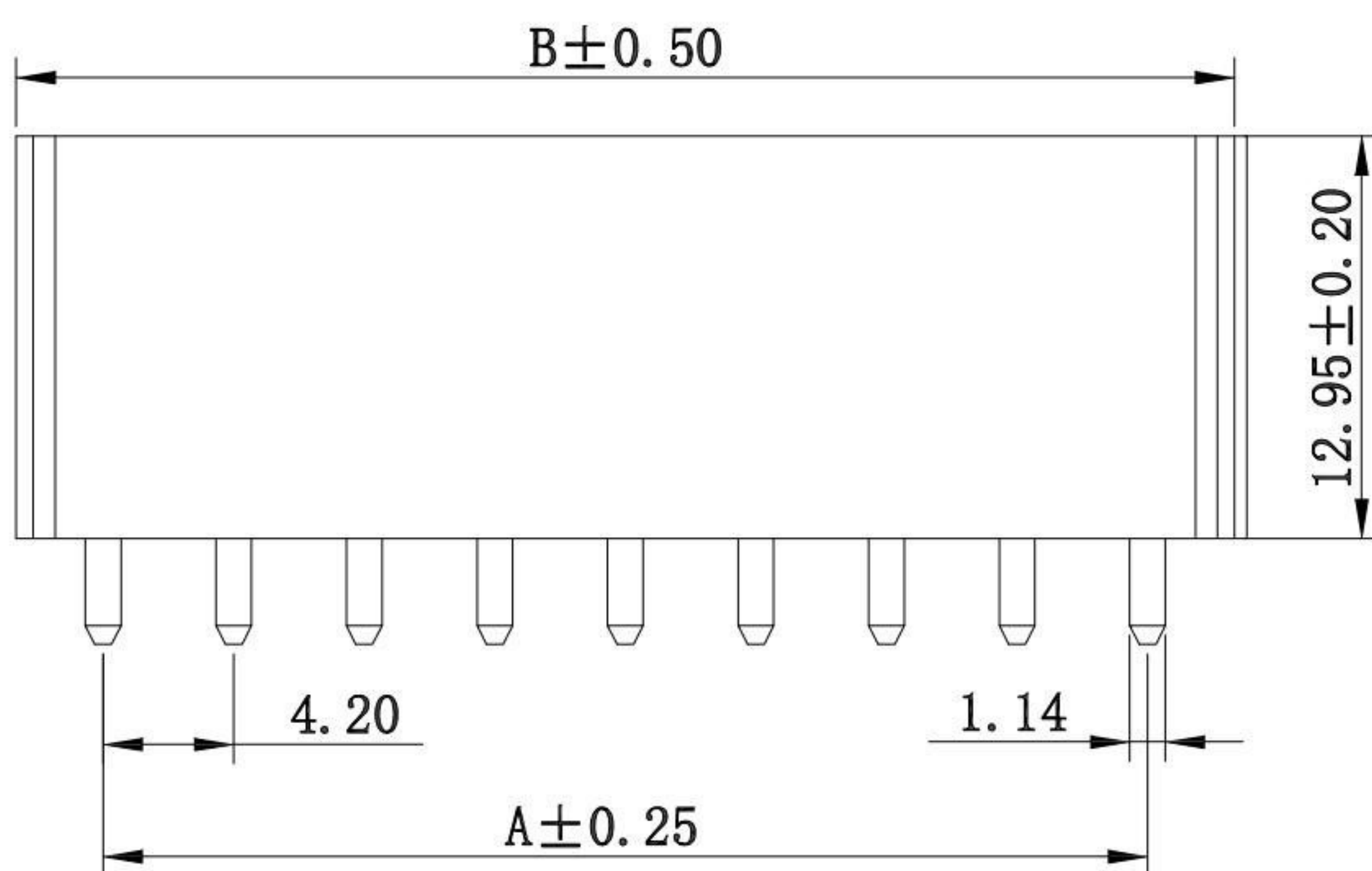


P.C.B LAYOUT MOUNTING PATTERN

PART NO.	Dimensions (mm)	
	A	B
02	—	5.60
04	4.20	9.80
06	8.40	14.00
08	12.60	18.20
10	16.80	22.40
12	21.00	26.60
14	25.20	30.80
16	29.40	35.00
18	33.60	39.20
20	37.80	43.40
22	42.00	47.60
24	46.20	51.80



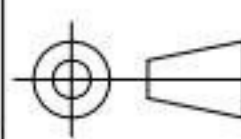
SPECIFICATIONS

Current rating : 7.0A AC , DC
 Voltage rating : 250V AC , DC
 Temperature rating : -25°C ~ +85°C
 Insulation resistance : 1,000 MΩ min.
 Withstand voltage : 1500V AC/minute
 Contact resistance : 10 mΩ max.
 Material:
 Housing : Nylon 66
 Pin : Brass / Tin-plated

KSD 科斯达电子科技有限公司
 SWITCH CONNECTOR KSD ELECTRONIC TECHNOLOGY Co., LTD
 全球 互联零组件制造企业

TOLERANCE UNLESS OTHERWISE STATED:
 Up to 5 ±0.2
 Above 5 ~ 15 ±0.3
 Above 15 ~ 30 ±0.4
 Above 30 ~ 50 ±0.5
 Angle ±0.3°

3RD. ANGEL'S



UNITS MM

DRAWN BY:	DATE	MAT'L	TITLE	CONNECTOR
Jack Lu	07/05/19		MODLE	MINI FIT JR VERTICAL POWER CONNECTOR PH: 4.2mm
CHECKED BY:	DATE	FINISH	DWG NO.	WF-4255VD2xx-S304
Jacky Chen	07/05/19		SHEET NO.	1 of 1
APPROVED BY:	DATE	SCALE	PART NO.	WF-4255VD2xx-S304
Tony Kao	07/05/19	1 : 1		

1	更新MODLE	Jack	070519
ITEM NO.	DESCRIPTION	DRAWN	DATE