

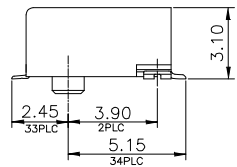
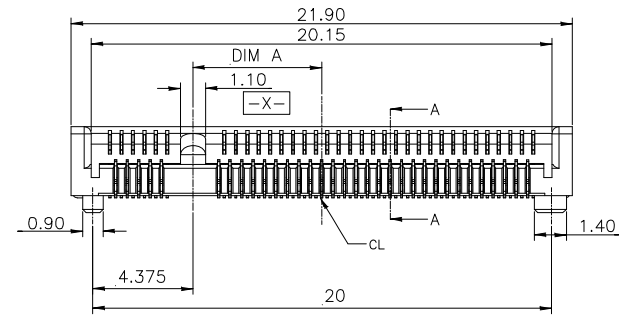
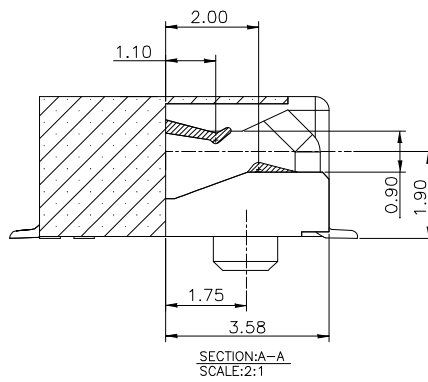
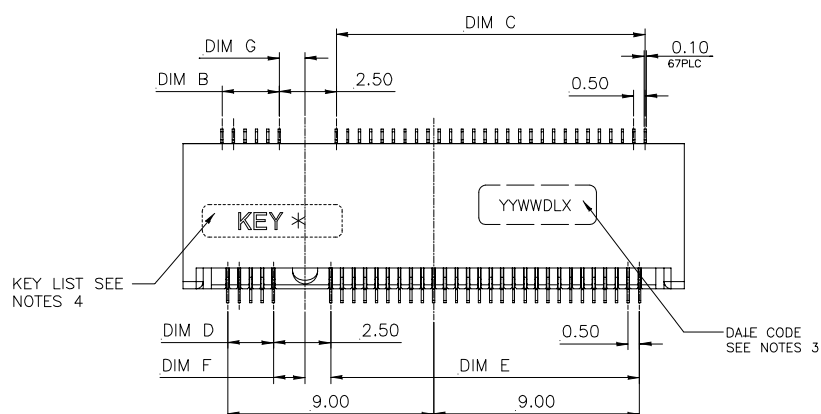


# NGF-32S<sub>X-X</sub>-S268

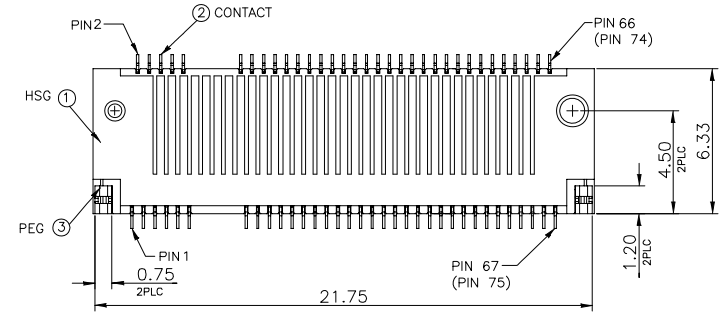
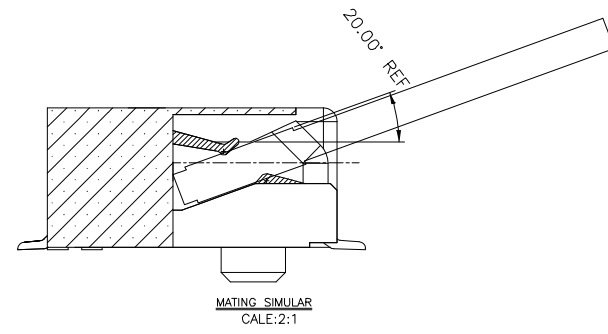
鍍層厚度:

- Blank : 1u"
- 2 : 15u"
- 3 : 30u"

M	-6.125	14.0	2.0	14.0	1.5	1.125	1.375
L	-5.125	13.0	3.0	13.0	2.5	1.125	1.375
K	-4.125	12.0	4.0	12.0	3.5	1.125	1.375
J	-3.125	11.0	5.0	11.0	4.5	1.125	1.375
H	-2.125	10.0	6.0	10.0	5.5	1.125	1.375
G	-1.125	9.0	7.0	9.0	6.5	1.125	1.375
F	1.625	6.5	9.5	6.0	9.5	1.375	1.125
E	2.625	5.5	10.5	5.0	10.5	1.375	1.125
D	3.625	4.5	11.5	4.0	11.5	1.375	1.125
C	4.625	3.5	12.5	3.0	12.5	1.375	1.125
B	5.625	2.5	13.5	2.0	13.5	1.375	1.125
A	6.625	1.5	14.5	1.0	14.5	1.375	1.125
PART NO.	DIM A	DIM B	DIM C	DIM D	DIM E	DIM F	DIM G



- 1.MATERIAL:
  - 1.1 Housing: LCP
  - 1.2 Contact: Copper Alloy
  - 1.3 Solder Peg: Stainless Steel
- 2.Finish:
  - 2.1 Contact: Plated Gold in Mating Area ;  
Gold Plated on Solder Balls ;  
Nickel under plated overall
  - 2.2 Solder Peg: Tin Plated on Solder Balls  
Nickel under plated overall



**广东科斯达电子科技有限公司**  
GUANG DONG KE SI DA ELECTRONIC TECHNOLOGY CO., LTD.

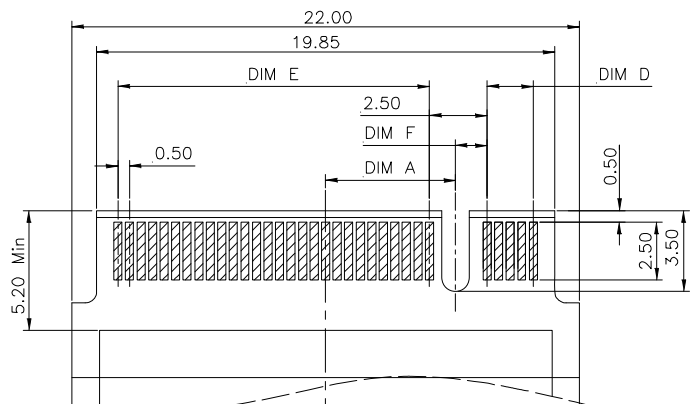
TOLERANCE UNLESS OTHERWISE STATED:

Up to 5	±0.2
Above 5 ~ 15	±0.3
Above 15 ~ 30	±0.4
Above 30 ~ 50	±0.5
Angle	±0.3°

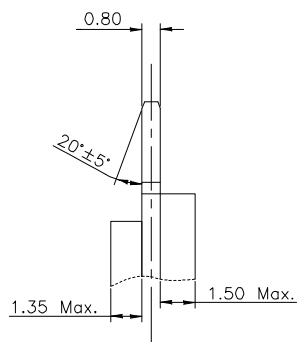
3RD. ANGEL'S

DRAWN BY:	DATE	MAT'L	TITLE	CONNECTOR
Jack Lu	05/31/21			
CHECKED BY:	DATE	FINISH	MODLE	NGFF 67P 3.2H CONNECTOR
Jacky Chen	05/31/21			
APPROVED BY:	DATE	SCALE	DWG NO.	NGF-32S <sub>X-X</sub> -S268
Tony Kao	05/31/21	1 : 1	PART NO.	NGF-32S <sub>X-X</sub> -S268
		SHEET NO.	1 of 2	SIZE A4
				VER R1

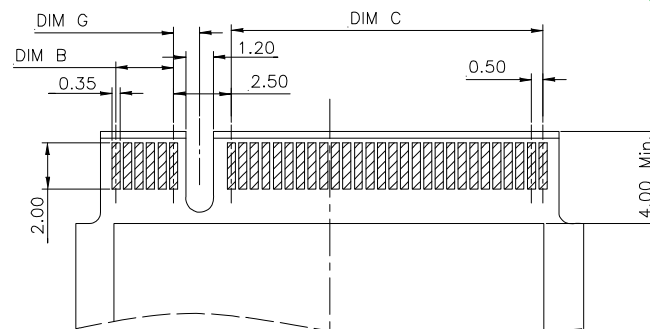
1	更新料號	Jack	053121
ITEM NO.	DESCRIPTION	DRAWN	DATE



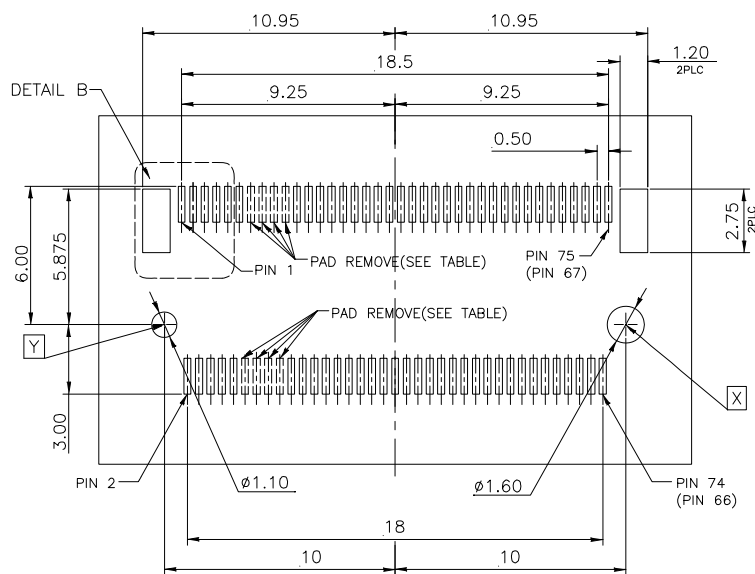
BOTTOM SIDE



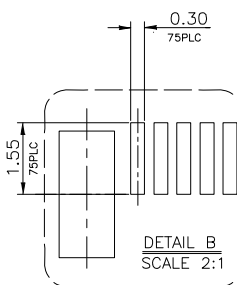
PLUG PCB



TOP SIDE



RECOMMENDED NGFF MOUNTING TYP PCB\_LAYOUT



M	-6.125	14.0	2.0	14.0	1.5	1.125	1.375
L	-5.125	13.0	3.0	13.0	2.5	1.125	1.375
K	-4.125	12.0	4.0	12.0	3.5	1.125	1.375
J	-3.125	11.0	5.0	11.0	4.5	1.125	1.375
H	-2.125	10.0	6.0	10.0	5.5	1.125	1.375
G	-1.125	9.0	7.0	9.0	6.5	1.125	1.375
F	1.625	6.5	9.5	6.0	9.5	1.375	1.125
E	2.625	5.5	10.5	5.0	10.5	1.375	1.125
D	3.625	4.5	11.5	4.0	11.5	1.375	1.125
C	4.625	3.5	12.5	3.0	12.5	1.375	1.125
B	5.625	2.5	13.5	2.0	13.5	1.375	1.125
A	6.625	1.5	14.5	1.0	14.5	1.375	1.125
PART NO.	DIM A	DIM B	DIM C	DIM D	DIM E	DIM F	DIM G

M	PIN 59-66
L	PIN 55-62
K	PIN 51-58
J	PIN 47-54
H	PIN 43-50
G	PIN 39-46
F	PIN 28-35
E	PIN 24-31
D	PIN 20-27
C	PIN 16-23
B	PIN 12-19
A	PIN 8-15
KEY ID	PAD REMOVED



TOLERANCE UNLESS OTHERWISE STATED:  
 Up to 5 ±0.2  
 Above 5 ~ 15 ±0.3  
 Above 15 ~ 30 ±0.4  
 Above 30 ~ 50 ±0.5  
 Angle ±0.3°

3RD. ANGEL'S



UNITS MM

DRAWN BY:	DATE	MAT'L	TITLE	CONNECTOR
Jack Lu	05/31/21			
CHECKED BY:	DATE	FINISH	MODLE	NGFF 67P 3.2H CONNECTOR
Jacky Chen	05/31/21			
APPROVED BY:	DATE	SCALE	DWG NO.	NGF-32Sx-x-S268
Tony Kao	05/31/21	1 : 1		
		SHEET NO.	PART NO.	NGF-32Sx-x-S268
		2 of 2		
				SIZE A4
				VER R1